

TUNE-R-125-1-M6

Circ.damper,leak.cl.C4,act. cont. 0-10V, spring ret.

Item Number: 46783

Description

Tune-R is control damper for circular ducts. The special design allows external insulation up to 50 mm. The damper can be supplied in manual or motorized version with integrated position indicator.

Design

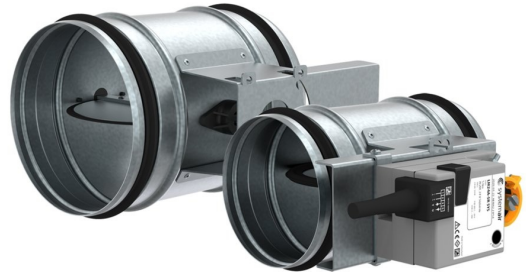
The damper is manufactured from galvanized steel sheet and is silicone free. All gaskets are manufactured from black rubber. Plastic bushings are from PPO material. All materials are flame retardant. It is available from dimensions 80-630 mm.

Tightness class versions acc, to EN 1751

- 1 - Casing tightness class A & blade tightness class 1 (no rubber gasket on inlet and no rubber gasket on blade)
- 2 - Casing tightness class C & blade tightness class 1 (rubber gasket on inlet and no rubber gasket on blade)
- 3 - Casing tightness class C & blade tightness class 4 (rubber gasket on inlet and rubber gasket on blade)

Actuator versions

- H - handle (hand operated)
- M0 - preparation for actuator
- M1 - 230V rotary actuator
- M2 - 24V rotary actuator
- M3 - 24V, 0-10V operated actuator
- M4 - 230V spring return actuator
- M5 - 24V spring return actuator
- M6 - 24V, 0-10V spring return actuator



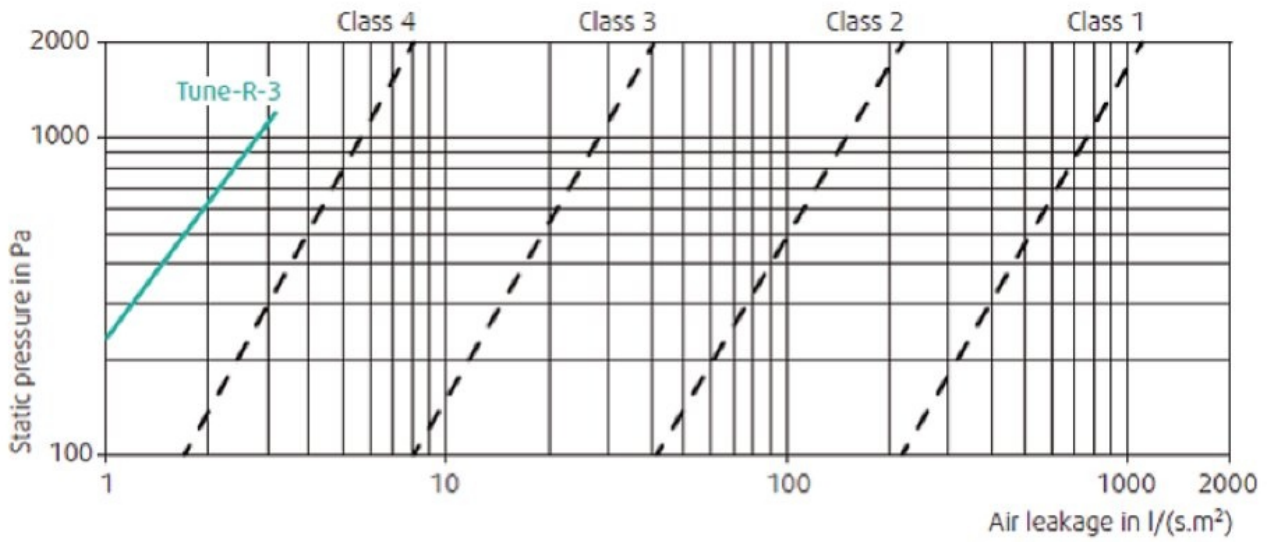
Technical parameters

Dimensions and weights

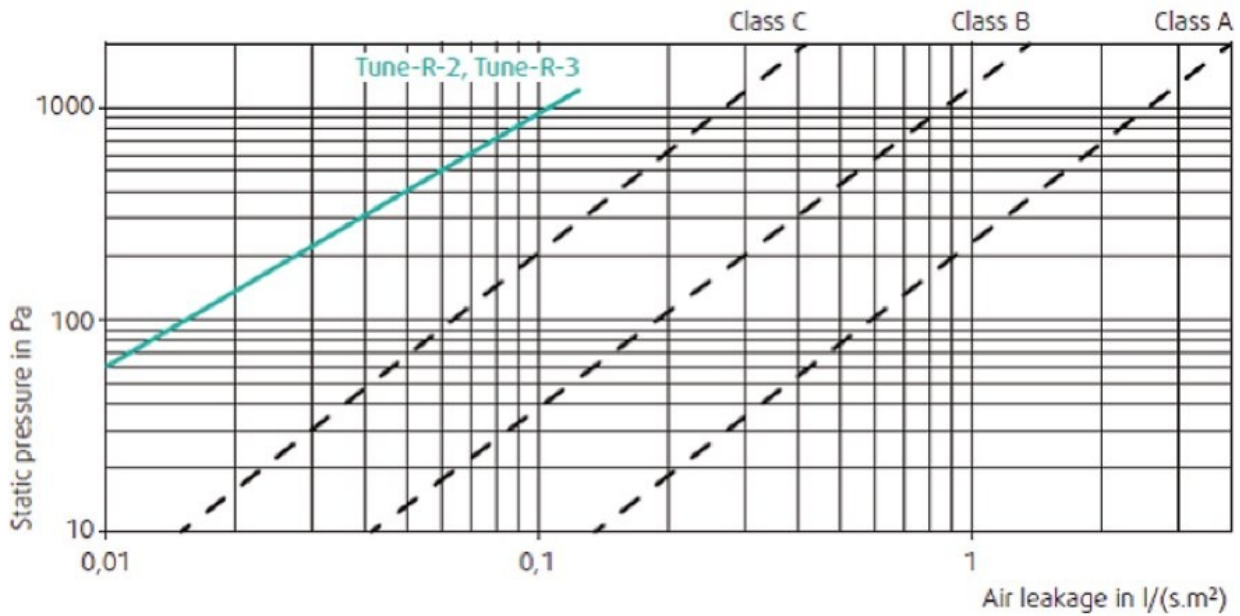
Weight

1.6 kg

Performances

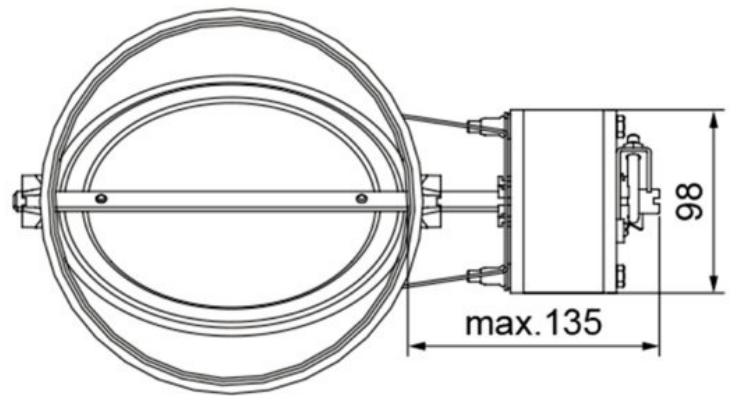
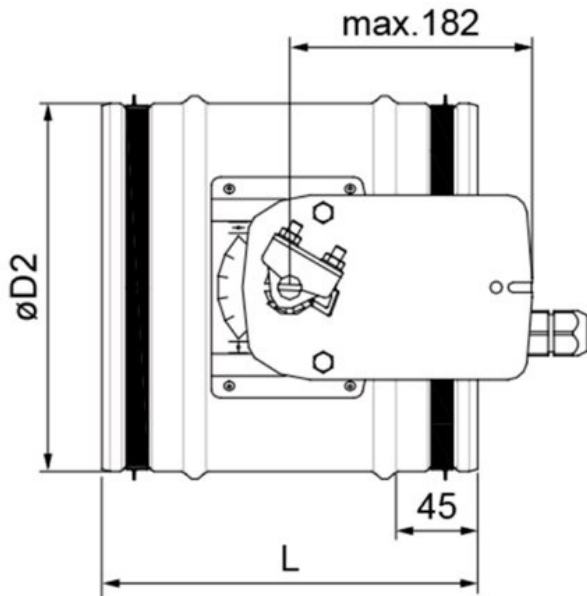


Classification of closed blade leakage according to EN 1751 standard



Classification of case leakage according to EN 1751 standard

Dimension



Size	L	shaft	weight	A1	C1	C4
DN	mm		kg	Nm		
80	200	12x3	0,9	2	2	2
100			1			
125			1,1			
140			1,2			
160			1,3			
180			1,4			
200			1,5			
250			2,1			4
280	300		3,2			
315			3,7			
355			4,2			
400		8x8	6,1	4	4	8
450						
500						
560						
630						

Documents

- [TPI 12 TUNE-R EN.pdf](#)