

# 5BDU Series

## Belt Drive Upblast Roof Ventilators



Fantech, Inc. certifies that the Belt-Drive Upblast Centrifugal Roof Ventilators shown herein are licensed to bear the AMCA Seal. The ratings shown are based on tests and procedures performed in accordance with AMCA Publication 211 and AMCA Publication 311 and comply with the requirements of the AMCA Certified Ratings Program.

To complete our range of Upblast Roof fans, and allow for maximum quick turn availability, Fantech offers the complete range as 3 easily assembled components. The fans come with a Shell featuring a fully welded windband, heavy duty motor supports and machine balanced and mounted blower wheel.

Factory pressed bearings complete the shaft and motor mount assembly. Choosing the right motor is as easy as finding your desired airflow and matching that performance with the corresponding motor size and drive pack. Alternatively, please refer to our online PRV selection tool on the Fantech website [fantech.net](http://fantech.net).

### Specification data

| Model   | Rated power                           | Voltage                    | RPM               | 0.0" P <sub>s</sub> | 0.125" P <sub>s</sub> | 0.25" P <sub>s</sub> | 0.375" P <sub>s</sub> | 0.50" P <sub>s</sub> | 0.625" P <sub>s</sub> | 0.75" P <sub>s</sub> | 0.875" P <sub>s</sub> | 1.00" P <sub>s</sub> | 1.25" P <sub>s</sub> |
|---------|---------------------------------------|----------------------------|-------------------|---------------------|-----------------------|----------------------|-----------------------|----------------------|-----------------------|----------------------|-----------------------|----------------------|----------------------|
|         | HP                                    | V                          | min <sup>-1</sup> | cfm                 |                       |                      |                       |                      |                       |                      |                       |                      |                      |
|         | Sones <sup>†</sup>   BHP <sup>#</sup> |                            |                   |                     |                       |                      |                       |                      |                       |                      |                       |                      |                      |
| 5BDU 10 | 1/4                                   | 120 / 230                  | 1819              | 1179                | 1138                  | 1089                 | 1037                  | 981                  | 922                   | 855                  | 776                   | 679                  | -                    |
|         |                                       |                            |                   | 15.1   0.22         | 14.7   0.23           | 14.3   0.23          | 13.5   0.24           | 13.1   0.24          | 12.8   0.25           | 12.0   0.25          | 11.6   0.24           | 10.6   0.24          | -                    |
| 5BDU 12 | 1/4                                   | 120 / 230                  | 1423              | 1390                | 1328                  | 1266                 | 1195                  | 1121                 | 1034                  | 939                  | 831                   | -                    | -                    |
|         |                                       |                            |                   | 12.5   0.21         | 12.3   0.22           | 11.7   0.23          | 11.3   0.23           | 10.8   0.24          | 10.2   0.24           | 9.7   0.24           | 9.5   0.24            | -                    | -                    |
|         | 1/3                                   | 120 / 230                  | 1566              | 1530                | 1473                  | 1417                 | 1358                  | 1290                 | 1223                  | 1142                 | 1060                  | 961                  | -                    |
|         |                                       |                            |                   | 13.1   0.28         | 13.1   0.29           | 12.7   0.30          | 12.7   0.31           | 12.3   0.31          | 11.7   0.32           | 11.0   0.32          | 10.3   0.32           | 10.3   0.32          | -                    |
| 5BDU 13 | 1/4                                   | 120 / 230                  | 1210              | 1730                | 1638                  | 1543                 | 1443                  | 1334                 | 1216                  | 1061                 | -                     | -                    | -                    |
|         |                                       |                            |                   | 12.2   0.21         | 11.2   0.22           | 11.5   0.23          | 11.0   0.24           | 10.3   0.25          | 9.4   0.25            | 8.5   0.25           | -                     | -                    | -                    |
|         | 1/3                                   | 120 / 230                  | 1330              | 1902                | 1818                  | 1734                 | 1643                  | 1552                 | 1449                  | 1343                 | 1201                  | -                    | -                    |
|         |                                       |                            |                   | 14.1   0.28         | 13.7   0.29           | 13.1   0.30          | 12.9   0.31           | 12.9   0.31          | 12.5   0.32           | 11.1   0.33          | 10.2   0.33           | -                    | -                    |
| 1/2     | 120 / 230                             | 1530                       | 2188              | 2115                | 2042                  | 1966                 | 1888                  | 1808                 | 1723                  | 1732                 | 1538                  | -                    |                      |
|         |                                       |                            | 17.3   0.42       | 17.0   0.44         | 16.3   0.45           | 16.2   0.46          | 15.4   0.48           | 15.4   0.49          | 15.1   0.50           | 14.2   0.50          | 13.6   0.50           | -                    |                      |
| 5BDU 15 | 1/4                                   | 120/208-230                | 1033              | 1950                | 1840                  | 1727                 | 1599                  | 1450                 | 1258                  | 568                  | -                     | -                    | -                    |
|         |                                       |                            |                   | 11.8   0.22         | 11.5   0.23           | 11.5   0.24          | 10.8   0.25           | 10.5   0.25          | 9.9   0.25            | 8.6   0.16           | -                     | -                    | -                    |
|         | 1/3                                   | 120/208-230                | 1136              | 2145                | 2045                  | 1945                 | 1832                  | 1713                 | 1571                  | 1393                 | 1070                  | -                    | -                    |
|         |                                       |                            |                   | 13.1   0.29         | 12.8   0.30           | 12.5   0.31          | 12.3   0.32           | 12.0   0.33          | 11.4   0.33           | 10.8   0.33          | 10.2   0.30           | -                    | -                    |
|         | 1/2                                   | 120/208-230<br>208-230/460 | 1301              | 2456                | 2369                  | 2282                 | 2193                  | 2091                 | 1989                  | 1868                 | 1745                  | 1572                 | -                    |
|         |                                       |                            |                   | 15.4   0.44         | 15.4   0.45           | 15.1   0.47          | 14.9   0.48           | 14.4   0.49          | 14.1   0.49           | 13.8   0.50          | 13.2   0.50           | 12.9   0.49          | -                    |
|         | 3/4                                   | 120/208-230<br>208-230/460 | 1489              | 2811                | 2735                  | 2659                 | 2582                  | 2503                 | 2414                  | 2325                 | 2231                  | 2123                 | 1875                 |
|         |                                       |                            |                   | 18.1   0.66         | 17.9   0.67           | 17.8   0.69          | 17.1   0.70           | 17.1   0.72          | 16.9   0.73           | 16.5   0.74          | 16.4   0.74           | 15.7   0.74          | 15.0   0.74          |
| 1       | 120/208-230<br>208-230/460            | 1639                       | 3094              | 3025                | 2956                  | 2886                 | 2817                  | 2743                 | 2662                  | 2582                 | 2501                  | 2307                 |                      |
|         |                                       |                            | 20.0   0.87       | 20.0   0.89         | 20.0   0.91           | 19.2   0.93          | 19.1   0.94           | 18.9   0.96          | 18.8   0.97           | 18.4   0.98          | 18.2   0.97           | 17.4   0.99          |                      |
| 5BDU 16 | 1/3                                   | 120 / 230                  | 960               | 2520                | 2377                  | 2232                 | 2076                  | 1910                 | 1702                  | 1390                 | -                     | -                    | -                    |
|         |                                       |                            |                   | 12.4   0.29         | 12.1   0.30           | 11.7   0.31          | 10.9   0.32           | 10.6   0.33          | 9.6   0.33            | 8.8   0.31           | -                     | -                    | -                    |
|         | 1/2                                   | 120/208-230<br>208-230/460 | 1100              | 2887                | 2762                  | 2637                 | 2507                  | 2370                 | 2226                  | 2077                 | 1847                  | 1529                 | -                    |
|         |                                       |                            |                   | 15.7   0.44         | 14.7   0.45           | 14.2   0.46          | 13.5   0.47           | 12.8   0.48          | 12.0   0.49           | 11.8   0.50          | 11.4   0.49           | 9.8   0.47           | -                    |
|         | 3/4                                   | 120/208-230<br>208-230/460 | 1260              | 3307                | 3198                  | 3098                 | 2980                  | 2864                 | 2744                  | 2623                 | 2492                  | 2360                 | -                    |
|         |                                       |                            |                   | 18.2   0.66         | 17.7   0.68           | 17.4   0.69          | 17.2   0.70           | 16.2   0.71          | 15.7   0.72           | 15.3   0.74          | 14.9   0.74           | 14.2   0.75          | -                    |
| 1       | 120/208-230<br>208-230/460            | 1400                       | 3674              | 3576                | 3478                  | 3380                 | 3282                  | 3175                 | 3068                  | 2961                 | 2844                  | -                    |                      |
|         |                                       |                            | 21.0   0.91       | 21.0   0.92         | 21.0   0.94           | 19.8   0.95          | 19.6   0.97           | 19.6   0.98          | 18.6   0.99           | 18.4   1.0           | 17.4   1.02           | -                    |                      |

Performance certified for installation type A: free inlet, free outlet. Performance rating includes the effect of bird screen. # Power rating (BHP) does not include transmission losses.  
<sup>†</sup> The sound ratings shown are loudness values in fan sones at 5 ft. (1.5m) in a hemispherical free field calculated per AMCA standard 301. Values shown are for installation type A, free inlet hemispherical sone levels.

# 5BDU Series

## Belt Drive Upblast Roof Ventilators



Fantech, Inc. certifies that the Belt-Drive Upblast Centrifugal Roof Ventilators shown herein are licensed to bear the AMCA Seal. The ratings shown are based on tests and procedures performed in accordance with AMCA Publication 211 and AMCA Publication 311 and comply with the requirements of the AMCA Certified Ratings Program.

### Specification data (cont.)

| Model   | Rated power                           | Voltage                    | RPM               | 0.0" P <sub>s</sub> | 0.125" P <sub>s</sub> | 0.25" P <sub>s</sub> | 0.375" P <sub>s</sub> | 0.50" P <sub>s</sub> | 0.625" P <sub>s</sub> | 0.75" P <sub>s</sub> | 0.875" P <sub>s</sub> | 1.00" P <sub>s</sub> | 1.25" P <sub>s</sub> |
|---------|---------------------------------------|----------------------------|-------------------|---------------------|-----------------------|----------------------|-----------------------|----------------------|-----------------------|----------------------|-----------------------|----------------------|----------------------|
|         | HP                                    | V                          | min <sup>-1</sup> | cfm                 |                       |                      |                       |                      |                       |                      |                       |                      |                      |
|         | Sones <sup>1</sup>   BHP <sup>#</sup> |                            |                   |                     |                       |                      |                       |                      |                       |                      |                       |                      |                      |
| 5BDU18  | 1/3                                   | 120 / 230                  | 811               | 2765                | 2600                  | 2419                 | 2217                  | 1987                 | 1676                  | -                    | -                     | -                    | -                    |
|         |                                       |                            |                   | 10.1   0.27         | 9.8   0.29            | 9.6   0.30           | 9.2   0.30            | 8.6   0.30           | 8.4   0.31            | -                    | -                     | -                    | -                    |
|         | 1/2                                   | 120/208-230<br>208-230/460 | 928               | 3164                | 3020                  | 2873                 | 2701                  | 2523                 | 2321                  | 2070                 | 1589                  | -                    | -                    |
|         |                                       |                            |                   | 11.7   0.41         | 11.5   0.43           | 11.6   0.44          | 11.2   0.46           | 10.5   0.47          | 10.1   0.47           | 9.8   0.47           | 9.0   0.43            | -                    | -                    |
|         | 3/4                                   | 120/208-230<br>208-230/460 | 1062              | 3621                | 3496                  | 3368                 | 3233                  | 3080                 | 2926                  | 2753                 | 2577                  | 2335                 | -                    |
|         |                                       |                            |                   | 14.8   0.61         | 14.5   0.63           | 14.3   0.65          | 14.1   0.67           | 13.9   0.69          | 13.3   0.69           | 12.8   0.70          | 12.6   0.70           | 11.9   0.70          | -                    |
|         | 1                                     | 120/208-230<br>208-230/460 | 1169              | 3986                | 3873                  | 3756                 | 3640                  | 3508                 | 3368                  | 3229                 | 3074                  | 2914                 | 2502                 |
|         |                                       |                            |                   | 17.6   0.82         | 17.3   0.84           | 17.5   0.86          | 17.1   0.88           | 16.9   0.90          | 16.3   0.92           | 16.2   0.93          | 15.4   0.94           | 15.4   0.94          | 13.9   0.93          |
|         | 1-1/2                                 | 120/208-230<br>208-230/460 | 1338              | 4563                | 4465                  | 4363                 | 4261                  | 4159                 | 4045                  | 3923                 | 3800                  | 3678                 | 3402                 |
|         |                                       |                            |                   | 21.0   1.23         | 21.0   1.25           | 20.0   1.28          | 20.0   1.30           | 20.0   1.32          | 19.5   1.35           | 19.1   1.36          | 18.5   1.38           | 18.2   1.39          | 17.3   1.41          |
|         | 2                                     | 208-230/460                | 1473              | 5023                | 4935                  | 4842                 | 4750                  | 4657                 | 4564                  | 4459                 | 4348                  | 4238                 | 4015                 |
|         |                                       |                            |                   | 25.0   1.64         | 24.0   1.67           | 24.0   1.70          | 23.0   1.72           | 23.0   1.75          | 22.0   1.77           | 22.0   1.79          | 21.0   1.82           | 21.0   1.83          | 19.5   1.86          |
| 5BDU 20 | 1/3                                   | 120 / 230                  | 695               | 3329                | 2996                  | 2742                 | 2456                  | 2094                 | -                     | -                    | -                     | -                    | -                    |
|         |                                       |                            |                   | 12.9   0.29         | 12.2   0.30           | 11.8   0.32          | 11.4   0.33           | 11.2   0.32          | -                     | -                    | -                     | -                    | -                    |
|         | 1/2                                   | 120/208-230<br>208-230/460 | 800               | 3718                | 3515                  | 3304                 | 3078                  | 2820                 | 2527                  | 2005                 | -                     | -                    | -                    |
|         |                                       |                            |                   | 14.0   0.44         | 13.6   0.46           | 13.1   0.48          | 12.6   0.49           | 12.2   0.50          | 12.3   0.50           | 12.0   0.47          | -                     | -                    | -                    |
|         | 3/4                                   | 120/208-230<br>208-230/460 | 915               | 4252                | 4075                  | 3898                 | 3703                  | 3505                 | 3282                  | 3039                 | 2734                  | 2175                 | -                    |
|         |                                       |                            |                   | 15.7   0.65         | 15.3   0.68           | 15.1   0.70          | 14.5   0.72           | 14.3   0.74          | 13.7   0.75           | 13.9   0.75          | 13.4   0.74           | 12.8   0.68          | -                    |
|         | 1                                     | 120/208-230<br>208-230/460 | 1010              | 4693                | 4533                  | 4373                 | 4206                  | 4026                 | 3846                  | 3643                 | 3423                  | 3181                 | 1422                 |
|         |                                       |                            |                   | 17.6   0.88         | 17.2   0.91           | 17.1   0.93          | 16.6   0.96           | 16.2   0.96          | 16.2   0.96           | 15.5   1.00          | 14.9   1.00           | 14.9   1.00          | 14.8   0.63          |
|         | 1-1/2                                 | 120/208-230<br>208-230/460 | 1155              | 5367                | 5227                  | 5086                 | 4947                  | 4797                 | 4640                  | 4483                 | 4325                  | 4136                 | 3750                 |
|         |                                       |                            |                   | 22.0   1.31         | 21.0   1.34           | 21.0   1.38          | 21.0   1.41           | 20.0   1.43          | 19.8   1.46           | 19.2   1.47          | 18.7   1.49           | 18.4   1.50          | 17.7   1.50          |
|         | 2                                     | 208-230/460                | 1270              | 5902                | 5774                  | 5647                 | 5519                  | 5391                 | 5252                  | 5108                 | 4966                  | 4823                 | 4491                 |
|         |                                       |                            |                   | 25.0   1.75         | 25.0   1.78           | 24.0   1.82          | 24.0   1.85           | 24.0   1.88          | 23.0   1.91           | 23.0   1.93          | 23.0   1.95           | 23.0   1.97          | 21.0   2.00          |
| 5BDU 24 | 1/3                                   | 120 / 230                  | 495               | 4410                | 3989                  | 3503                 | 2826                  | -                    | -                     | -                    | -                     | -                    | -                    |
|         |                                       |                            |                   | 10.6   0.29         | 10.4   0.32           | 10.0   0.33          | 9.8   0.32            | -                    | -                     | -                    | -                     | -                    | -                    |
|         | 1/2                                   | 120/230<br>208-230/460     | 570               | 5078                | 4727                  | 4313                 | 3866                  | 3239                 | -                     | -                    | -                     | -                    | -                    |
|         |                                       |                            |                   | 11.9   0.45         | 11.9   0.48           | 11.3   0.50          | 11.0   0.51           | 10.4   0.50          | -                     | -                    | -                     | -                    | -                    |
| 3/4     | 120/208-230<br>208-230/460            | 650                        | 5791              | 5477                | 5126                  | 4732                 | 4324                  | 3865                 | -                     | -                    | -                     | -                    |                      |
|         |                                       |                            |                   | 14.4   0.67         | 14.4   0.70           | 13.7   0.73          | 13.7   0.74           | 13.4   0.75          | 11.4   0.75           | -                    | -                     | -                    | -                    |
| 1       | 120/208-230<br>208-230/460            | 720                        | 6415              | 6137                | 5842                  | 5510                 | 5180                  | 4801                 | 4310                  | 3714                 | -                     | -                    |                      |
|         |                                       |                            |                   | 15.8   0.90         | 15.6   0.94           | 14.3   0.97          | 14.1   1.00           | 13.8   1.01          | 13.2   1.01           | 13.0   1.00          | 12.9   0.97           | -                    | -                    |

Performance certified for installation type A: free inlet, free outlet. Performance rating includes the effect of bird screen. # Power rating (BHP) does not include transmission losses.

<sup>1</sup> The sound ratings shown are loudness values in fan sones at 5 ft. (1.5m) in a hemispherical free field calculated per AMCA standard 301. Values shown are for installation type A, free inlet hemispherical sone levels.

# 5BDU Series

## Belt Drive Upblast Roof Ventilators



Fantech, Inc. certifies that the Belt-Drive Upblast Centrifugal Roof Ventilators shown herein are licensed to bear the AMCA Seal. The ratings shown are based on tests and procedures performed in accordance with AMCA Publication 211 and AMCA Publication 311 and comply with the requirements of the AMCA Certified Ratings Program.

### Specification data (cont.)

| Model   | Rated power | Voltage                    | RPM                        | 0.0" P <sub>s</sub>                          | 0.125" P <sub>s</sub> | 0.25" P <sub>s</sub> | 0.375" P <sub>s</sub> | 0.50" P <sub>s</sub> | 0.625" P <sub>s</sub> | 0.75" P <sub>s</sub> | 0.875" P <sub>s</sub> | 1.00" P <sub>s</sub> | 1.25" P <sub>s</sub> | 1.50" P <sub>s</sub> |   |
|---------|-------------|----------------------------|----------------------------|----------------------------------------------|-----------------------|----------------------|-----------------------|----------------------|-----------------------|----------------------|-----------------------|----------------------|----------------------|----------------------|---|
|         | HP          | V                          | min <sup>-1</sup>          | cfm<br>Sones <sup>1</sup>   BHP <sup>#</sup> |                       |                      |                       |                      |                       |                      |                       |                      |                      |                      |   |
| 5BDU 24 | 1-1/2       | 120/208-230<br>208-230/460 | 820                        | 7306<br>19.5   1.34                          | 7062<br>18.7   1.38   | 6818<br>18.2   1.41  | 6535<br>17.4   1.44   | 6245<br>16.6   1.47  | 5954<br>15.9   1.49   | 5632<br>17.7   1.50  | 5296<br>15.1   1.50   | 4800<br>14.9   1.49  | -                    | -                    |   |
|         | 2           | 208-230/460                | 900                        | 8018<br>24.0   1.76                          | 7796<br>23.0   1.81   | 7573<br>22.0   1.85  | 7334<br>22.0   1.89   | 7070<br>21.0   1.92  | 6806<br>19.7   1.95   | 6541<br>19.0   1.97  | 6251<br>18.7   1.98   | 5945<br>18.1   1.99  | 5101<br>18.4   1.95  | -                    |   |
| 5BDU 30 | 1/2         | 120/230<br>208-230/460     | 412                        | 6232<br>16.1   0.42                          | 5658<br>15.1   0.46   | 4955<br>14.5   0.47  | 4105<br>14.2   0.47   | -                    | -                     | -                    | -                     | -                    | -                    | -                    |   |
|         |             |                            |                            | 7124<br>17.6   0.63                          | 6622<br>15.7   0.67   | 6049<br>14.6   0.70  | 5391<br>14.6   0.70   | 4627<br>13.9   0.70  | -                     | -                    | -                     | -                    | -                    | -                    |   |
|         | 1           | 120/208-230<br>208-230/460 | 519                        | 7850<br>19.1   0.85                          | 7394<br>15.7   0.89   | 6901<br>15.2   0.93  | 6352<br>14.6   0.94   | 5709<br>14.6   0.94  | 4992<br>14.0   0.93   | -                    | -                     | -                    | -                    | -                    | - |
|         |             |                            |                            | 8985<br>16.5   1.27                          | 8586<br>17.3   1.32   | 8188<br>16.3   1.37  | 7716<br>15.9   1.40   | 7233<br>15.6   1.41  | 6669<br>15.1   1.41   | 6072<br>14.4   1.40  | 5417<br>14.1   1.38   | -                    | -                    | -                    | - |
|         | 2           | 208-230/460                | 653                        | 9877<br>19.7   1.69                          | 9515<br>19.4   1.75   | 9152<br>18.3   1.80  | 8755<br>18.0   1.84   | 8319<br>17.3   1.86  | 7867<br>16.0   1.87   | 7354<br>15.9   1.87  | 6824<br>15.1   1.87   | 6230<br>14.5   1.85  | -                    | -                    | - |
|         |             |                            |                            | 11314<br>24   2.53                           | 10988<br>23   2.60    | 10681<br>22   2.67   | 10365<br>22   2.72    | 10005<br>21   2.77   | 9624<br>19.8   2.79   | 9242<br>18.9   2.81  | 8814<br>18.4   2.81   | 8367<br>17.7   2.81  | 7394<br>16.9   2.79  | -                    | - |
|         | 5           | 208-230/460                | 887                        | 13417<br>30   4.23                           | 13150<br>30   4.31    | 12883<br>30   4.38   | 12616<br>30   4.46    | 12350<br>28   4.52   | 12065<br>28   4.58    | 11744<br>27   4.63   | 11422<br>26   4.66    | 11100<br>25   4.68   | 10393<br>24   4.69   | 9638<br>23   4.66    | - |
|         |             |                            |                            | 9392<br>9.3   0.67                           | 8509<br>8.6   0.71    | 7552<br>8.4   0.74   | 6179<br>7.9   0.73    | -                    | -                     | -                    | -                     | -                    | -                    | -                    | - |
|         | 5BDU 36     | 3/4                        | 120/208-230<br>208-230/460 | 339                                          | 10334<br>10.9   0.89  | 9532<br>9.8   0.94   | 8679<br>9.4   0.98    | 7654<br>8.9   0.98   | 6202<br>8.3   0.94    | -                    | -                     | -                    | -                    | -                    | - |
|         |             |                            |                            |                                              | 11830<br>13.0   1.34  | 11129<br>12.2   1.39 | 10411<br>11.5   1.44  | 9645<br>11.1   1.47  | 8694<br>10.8   1.47   | 7443<br>10.0   1.44  | -                     | -                    | -                    | -                    | - |
|         |             | 2                          | 208-230/460                | 470                                          | 13021<br>15.5   1.78  | 12384<br>14.6   1.84 | 11748<br>14.1   1.89  | 11058<br>13.5   1.94 | 10336<br>13.1   1.97  | 9430<br>12.5   1.96  | 8267<br>12.0   1.92   | -                    | -                    | -                    | - |
|         |             |                            |                            |                                              | 14905<br>19.1   2.68  | 14349<br>18.8   2.74 | 13793<br>17.8   2.80  | 13224<br>17.0   2.86 | 12616<br>16.7   2.92  | 12008<br>16.2   2.95 | 11231<br>15.8   2.95  | 10432<br>15.0   2.92 | 9307<br>14.8   2.87  | -                    | - |
| 5       |             | 208-230/460                | 637                        | 17647<br>23   4.44                           | 17178<br>23   4.52    | 16708<br>23   4.59   | 16239<br>21   4.67    | 15763<br>21   4.74   | 15249<br>21   4.81    | 14736<br>20   4.86   | 14222<br>20   4.90    | 13573<br>19.8   4.90 | 12147<br>18.4   4.85 | 7546<br>17.3   3.55  |   |

Performance certified for installation type A: free inlet, free outlet. Performance rating includes the effect of bird screen. # Power rating (BHP) does not include transmission losses.

<sup>1</sup> The sound ratings shown are loudness values in fan sones at 5 ft. (1.5m) in a hemispherical free field calculated per AMCA standard 301. Values shown are for installation type A, free inlet hemispherical sone levels.

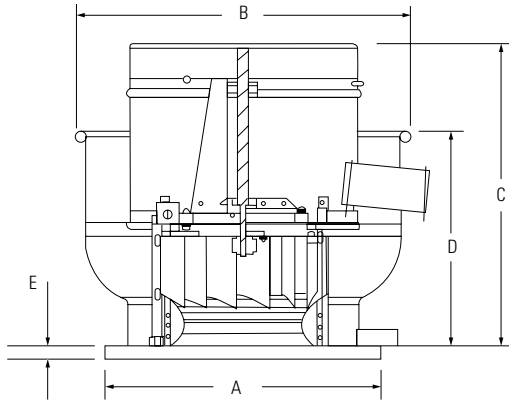
# 5BDU Series

## Upblast Roof Ventilator Components

| Model  | Shell  |             | Roof Curb           |                  |                       |              | HP    | 1 Phase for Fans Less Motor and Drive |              |        |          | 3 Phase for Fans Less Motor and Drive |              |        |          |
|--------|--------|-------------|---------------------|------------------|-----------------------|--------------|-------|---------------------------------------|--------------|--------|----------|---------------------------------------|--------------|--------|----------|
|        | Item # | Weight, lbs | Max Outer Dimension | Model            | Item #                | Weight, lbs  |       | Drive Pack                            |              | Motor  |          | Drive Pack                            |              | Motor  |          |
|        |        |             |                     |                  |                       |              |       | Item #                                | DP ID        | Item # | Motor ID | Item #                                | DP ID        | Item # | Motor ID |
| 5BDU10 | 49800  | 90          | 19" x 19"           | 5ACC17FS /FT /VC | 47206 / 47207 / 47208 | 24 / 29 / 38 | 1/4   | 48992                                 | DP-10"-BB    | 49907  | MOT BB   |                                       |              |        |          |
| 5BDU12 | 49801  | 100         | 22" x 22"           | 5ACC20FS /FT /VC | 47212 / 47213 / 47214 | 28 / 33 / 38 | 1/4   | 48993                                 | DP-12"-BB    | 49907  | MOT BB   |                                       |              |        |          |
|        |        |             |                     |                  |                       |              | 1/3   | 48994                                 | DP-12"-CB    | 49909  | MOT CB   |                                       |              |        |          |
|        |        |             |                     |                  |                       |              | 1/2   | 48997                                 | DP-13"-DB    | 49910  | MOT DB   | 49000                                 | DP-13"-DX    | 49911  | MOT DX   |
| 5BDU13 | 49802  | 105         | 22" x 22"           | 5ACC20FS /FT /VC | 47212 / 47213 / 47214 | 28 / 33 / 38 | 1/4   | 48995                                 | DP-13"-BB    | 49907  | MOT BB   |                                       |              |        |          |
|        |        |             |                     |                  |                       |              | 1/3   | 48996                                 | DP-13"-CB    | 49909  | MOT CB   |                                       |              |        |          |
|        |        |             |                     |                  |                       |              | 1/2   | 48997                                 | DP-13"-DB    | 49910  | MOT DB   | 49000                                 | DP-13"-DX    | 49911  | MOT DX   |
| 5BDU15 | 49803  | 120         | 26" x 26"           | 5ACC24FS /FT /VC | 47217 / 47941 / 47219 | 33 / 38 / 47 | 1/4   | 49001                                 | DP-15"-BB    | 49907  | MOT BB   |                                       |              |        |          |
|        |        |             |                     |                  |                       |              | 1/3   | 49002                                 | DP-15"-CB    | 49909  | MOT CB   |                                       |              |        |          |
|        |        |             |                     |                  |                       |              | 1/2   | 49003                                 | DP-15"-DB    | 49910  | MOT DB   | 49004                                 | DP-15"-DX    | 49911  | MOT DX   |
|        |        |             |                     |                  |                       |              | 3/4   | 49005                                 | DP-15"-EB/EX | 49912  | MOT EB   | 49005                                 | DP-15"-EB/EX | 49913  | MOT EX   |
|        |        |             |                     |                  |                       |              | 1     | 49007                                 | DP-15"-FB/FX | 49914  | MOT FB   | 49007                                 | DP-15"-FB/FX | 49915  | MOT FX   |
| 5BDU16 | 49804  | 125         | 26" x 26"           | 5ACC24FS /FT /VC | 47217 / 47941 / 47219 | 33 / 38 / 47 | 1/3   | 49010                                 | DP-16"-CB    | 49909  | MOT CB   |                                       |              |        |          |
|        |        |             |                     |                  |                       |              | 1/2   | 49011                                 | DP-16"-DB    | 49910  | MOT DB   | 49012                                 | DP-16"-DX    | 49911  | MOT DX   |
|        |        |             |                     |                  |                       |              | 3/4   | 49013                                 | DP-16"-EB/EX | 49912  | MOT EB   | 49013                                 | DP-16"-EB/EX | 49913  | MOT EX   |
|        |        |             |                     |                  |                       |              | 1     | 49015                                 | DP-16"-FB/FX | 49914  | MOT FB   | 49015                                 | DP-16"-FB/FX | 49915  | MOT FX   |
|        |        |             |                     |                  |                       |              | 1-1/2 | 49017                                 | DP-18"-CB    | 49909  | MOT CB   |                                       |              |        |          |
| 5BDU18 | 49805  | 171         | 30" x 30"           | 5ACC28FS /FT /VC | 47221 / 47222 / 47223 | 40 / 48 / 54 | 1/3   | 49017                                 | DP-18"-CB    | 49909  | MOT CB   |                                       |              |        |          |
|        |        |             |                     |                  |                       |              | 1/2   | 49018                                 | DP-18"-DB    | 49910  | MOT DB   | 49019                                 | DP-18"-DX    | 49911  | MOT DX   |
|        |        |             |                     |                  |                       |              | 3/4   | 49020                                 | DP-18"-EB/EX | 49912  | MOT EB   | 49020                                 | DP-18"-EB/EX | 49913  | MOT EX   |
|        |        |             |                     |                  |                       |              | 1     | 49022                                 | DP-18"-FB/FX | 49914  | MOT FB   | 49022                                 | DP-18"-FB/FX | 49915  | MOT FX   |
|        |        |             |                     |                  |                       |              | 1-1/2 | 49024                                 | DP-18"-GB    | 49916  | MOT GB   | 49024                                 | DP-18"-GB    | 49917  | MOT GX   |
| 5BDU20 | 49806  | 173         | 30" x 30"           | 5ACC28FS /FT /VC | 47221 / 47222 / 47223 | 40 / 48 / 54 | 1/3   | 49027                                 | DP-20"-CB    | 49909  | MOT CB   |                                       |              |        |          |
|        |        |             |                     |                  |                       |              | 1/2   | 49028                                 | DP-20"-DB    | 49910  | MOT DB   | 49029                                 | DP-20"-DX    | 49911  | MOT DX   |
|        |        |             |                     |                  |                       |              | 3/4   | 49031                                 | DP-20"-EB/EX | 49912  | MOT EB   | 49031                                 | DP-20"-EB/EX | 49913  | MOT EX   |
|        |        |             |                     |                  |                       |              | 1     | 49032                                 | DP-20"-FB/FX | 49914  | MOT FB   | 49032                                 | DP-20"-FB/FX | 49915  | MOT FX   |
|        |        |             |                     |                  |                       |              | 1-1/2 | 49036                                 | DP-20"-GB/GX | 49916  | MOT GB   | 49036                                 | DP-20"-GB/GX | 49917  | MOT GX   |
| 5BDU24 | 49807  | 205         | 34" x 34"           | 5ACC32FS /FT /VC | 47226 / 47227 / 47228 | 46 / 53 / 52 | 1/3   | 49039                                 | DP-24"-CB    | 49909  | MOT CB   |                                       |              |        |          |
|        |        |             |                     |                  |                       |              | 1/2   | 49040                                 | DP-24"-DB    | 49910  | MOT DB   | 49041                                 | DP-24"-DX    | 49911  | MOT DX   |
|        |        |             |                     |                  |                       |              | 3/4   | 49042                                 | DP-24"-EB/EX | 49912  | MOT EB   | 49042                                 | DP-24"-EB/EX | 49913  | MOT EX   |
|        |        |             |                     |                  |                       |              | 1     | 49044                                 | DP-24"-FB/FX | 49914  | MOT FB   | 49044                                 | DP-24"-FB/FX | 49915  | MOT FX   |
|        |        |             |                     |                  |                       |              | 1-1/2 | 49046                                 | DP-24"-GB/GX | 49916  | MOT GB   | 49046                                 | DP-24"-GB/GX | 49917  | MOT GX   |
| 5BDU30 | 49808  | 305         | 42" x 42"           | 5ACC40FS /FT /VC | 47233 / 47901 / 47234 | 57 / 68 / 63 | 1/2   | 49466                                 | DP-30"-DB    | 49910  | MOT DB   | 49052                                 | DP-30"-DX    | 49911  | MOT DX   |
|        |        |             |                     |                  |                       |              | 3/4   | 49053                                 | DP-30"-EB/EX | 49912  | MOT EB   | 49053                                 | DP-30"-EB/EX | 49913  | MOT EX   |
|        |        |             |                     |                  |                       |              | 1     | 49055                                 | DP-30"-FB/FX | 49914  | MOT FB   | 49055                                 | DP-30"-FB/FX | 49915  | MOT FX   |
|        |        |             |                     |                  |                       |              | 1-1/2 | 49057                                 | DP-30"-GB/GX | 49916  | MOT GB   | 49057                                 | DP-30"-GB/GX | 49917  | MOT GX   |
|        |        |             |                     |                  |                       |              | 2     |                                       |              |        |          | 49060                                 | DP-30"-HX    | 49918  | MOT HX   |
| 5BDU36 | 49809  | 385         | 46" x 46"           | 5ACC44FS /FT /VC | 47237 / 47238 / 47665 | 68 / 73 / 92 | 3/4   | 49063                                 | DP-36"-EB/EX | 49912  | MOT EB   | 49063                                 | DP-36"-EB/EX | 49913  | MOT EX   |
|        |        |             |                     |                  |                       |              | 1     | 49065                                 | DP-36"-FB/FX | 49914  | MOT FB   | 49065                                 | DP-36"-FB/FX | 49915  | MOT FX   |
|        |        |             |                     |                  |                       |              | 1-1/2 | 49067                                 | DP-36"-GB/GX | 49916  | MOT GB   | 49067                                 | DP-36"-GB/GX | 49917  | MOT GX   |
|        |        |             |                     |                  |                       |              | 2     |                                       |              |        |          | 49069                                 | DP-36"-HX    | 49918  | MOT HX   |
|        |        |             |                     |                  |                       |              | 3     |                                       |              |        |          | 49070                                 | DP-36"-JX    | 49919  | MOT JX   |
|        |        |             |                     |                  | 49072                 | DP-36"-KX    | 49920 | MOT KX                                |              |        |          |                                       |              |        |          |

## 5BDU Series

### Belt Drive Upblast Roof Ventilator



#### STANDARD FEATURES

- All ventilators are listed UL 705 for electrical and UL 762 for restaurant exhaust in USA only
- Models 5DBU10 - 5DBU24 are suitable for wall mount application
- Inlet temperatures up to 300°F
- Fully welded windband
- Externally cooled motor compartment



Fantech Inc. certifies that the 5BDU Series shown herein is licensed to bear the AMCA Seal. The ratings shown are based on tests and procedures performed in accordance with AMCA Publication 211 and AMCA Publication 311 and comply with the requirements of the AMCA Certified Ratings Program.

| Model   | A  | B      | C      | D      | E     |
|---------|----|--------|--------|--------|-------|
| 5BDU 10 | 19 | 23 7/8 | 23 3/8 | 16 7/8 | 1 1/2 |
| 5BDU 12 | 22 | 26 1/2 | 24 1/4 | 17 3/4 | 1 1/2 |
| 5BDU 13 | 22 | 27 7/8 | 24 5/8 | 18 1/2 | 1 1/2 |
| 5BDU 15 | 26 | 29 7/8 | 27 3/8 | 19 3/8 | 1 1/2 |
| 5BDU 16 | 26 | 31 3/4 | 27 3/4 | 20 1/8 | 1 1/2 |

| Model   | A  | B      | C      | D      | E     |
|---------|----|--------|--------|--------|-------|
| 5BDU 18 | 30 | 34     | 29 7/8 | 21 1/8 | 1 1/2 |
| 5BDU 20 | 30 | 36 1/2 | 30 1/4 | 22     | 1 1/2 |
| 5BDU 24 | 34 | 42 3/8 | 33     | 24 1/2 | 1 1/2 |
| 5BDU 30 | 42 | 49 1/2 | 38 3/4 | 27 1/2 | 1 1/2 |
| 5BDU 36 | 46 | 58 1/6 | 42 7/8 | 31 1/2 | 1 1/2 |

All dimensions in inches.

| Fan Specifications |     |           |     |     |    |         | Motor Specifications |       |       |       |      |
|--------------------|-----|-----------|-----|-----|----|---------|----------------------|-------|-------|-------|------|
| Line               | Qty | Model No. | Tag | CFM | SP | Fan RPM | Watts                | Volts | Phase | Hertz | Encl |
| 1                  |     |           |     |     |    |         |                      |       |       |       |      |
| 2                  |     |           |     |     |    |         |                      |       |       |       |      |
| 3                  |     |           |     |     |    |         |                      |       |       |       |      |
| 4                  |     |           |     |     |    |         |                      |       |       |       |      |

| Accessory Items          | 1 | 2 | 3 | 4 | Accessory Items          | 1 | 2 | 3 | 4 |
|--------------------------|---|---|---|---|--------------------------|---|---|---|---|
| <input type="checkbox"/> |   |   |   |   | <input type="checkbox"/> |   |   |   |   |
| <input type="checkbox"/> |   |   |   |   | <input type="checkbox"/> |   |   |   |   |
| <input type="checkbox"/> |   |   |   |   | <input type="checkbox"/> |   |   |   |   |
| <input type="checkbox"/> |   |   |   |   | <input type="checkbox"/> |   |   |   |   |

Project: \_\_\_\_\_ Submitted: \_\_\_\_\_  
 Customer: \_\_\_\_\_ Approved: \_\_\_\_\_  
 Location: \_\_\_\_\_

United States 10048 Industrial Blvd. • Lenexa, KS 66061 • 1.800.747.1762 • www.fantech.net  
 Canada 50 Kanalfakt Way • Bouctouche, NB E4S 3M5 • 1.800.565.3548 • www.fantech.net

Fantech reserves the right to make technical changes.  
 For updated documentation please refer to [www.fantech.net](http://www.fantech.net)

