

FADE 10-4 Axial Fan

Item Number: 411350
 Variant: 120V 1~ 60Hz



- Controllable via a rotary type speed controller
- Shallow profile with no protruding motor
- Maximum inlet temperature is 158 °F

Application

Fantech's FADE Series axial fans are designed to effectively and quietly handle major ventilation challenges in locations such as large warehouses without taking up a lot of valuable space.

Design

All FADE Series fans combine aerodynamically designed propeller blades and an external rotor motor expertly integrated into one unit. Fans feature a heavy gauge galvanized steel and powdercoated finish casing. With fan sizes ranging from 8" to 25", Fantech's FADE Series fans move a lot of air, yet are statically and dynamically balanced for vibration-free operation. The external rotor motorized propeller provides excellent heat dissipation, even at low RPM. Rated for continuous duty.



Technical parameters

Nominal data		
Voltage (nominal)	120	V
Frequency	60	Hz
Phase(s)	1~	
Input power	48	W
Input current	0.44	A
Impeller speed	1,634	r.p.m.
Air flow	max 627.0	cfm
Temperature of transported air	max 158	°F

Max temperature of transported air, when speed controlled

158 °F

Protection/Classification

Certificate

AMCA Air, AMCA Sound, cCSAus

Dimensions and weights

Weight

7.7 lb

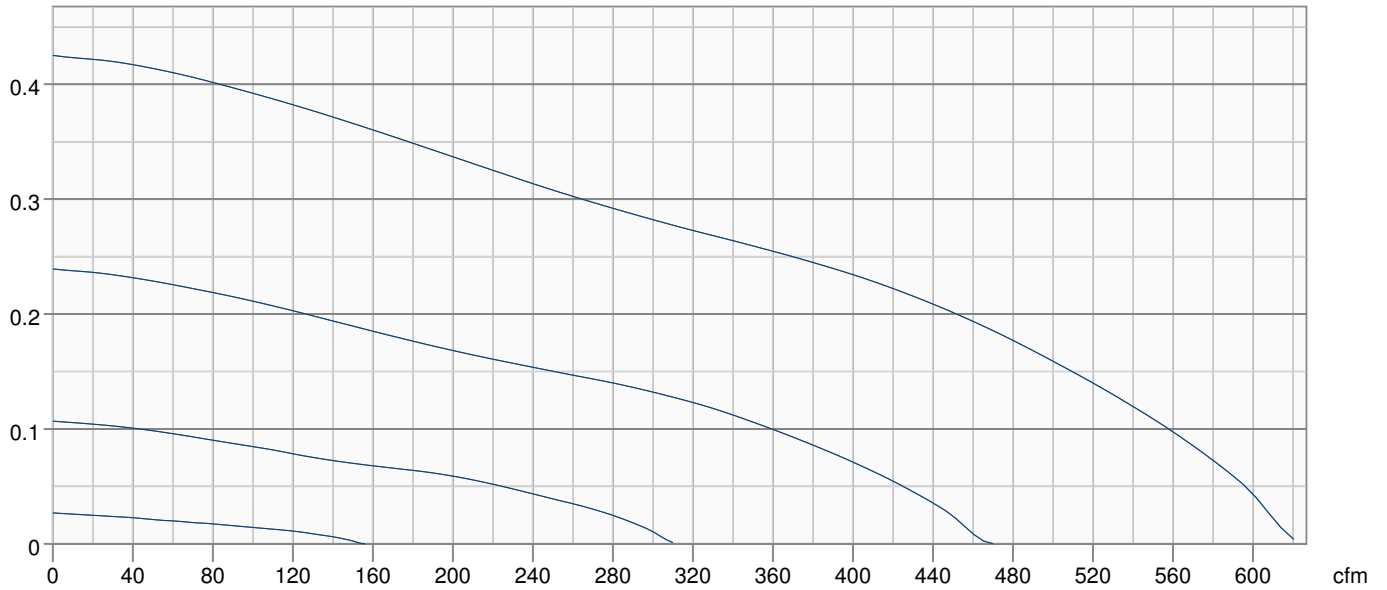
Optional

Color name, casing

Black

Performance curve

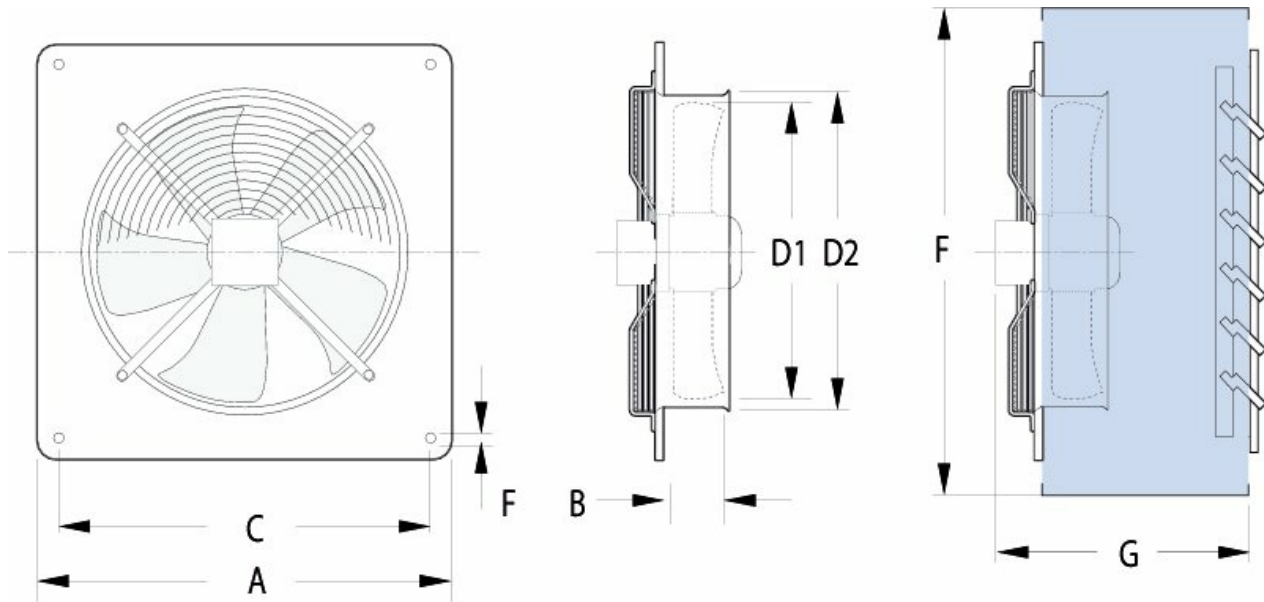
in. wg.



Hydraulic data

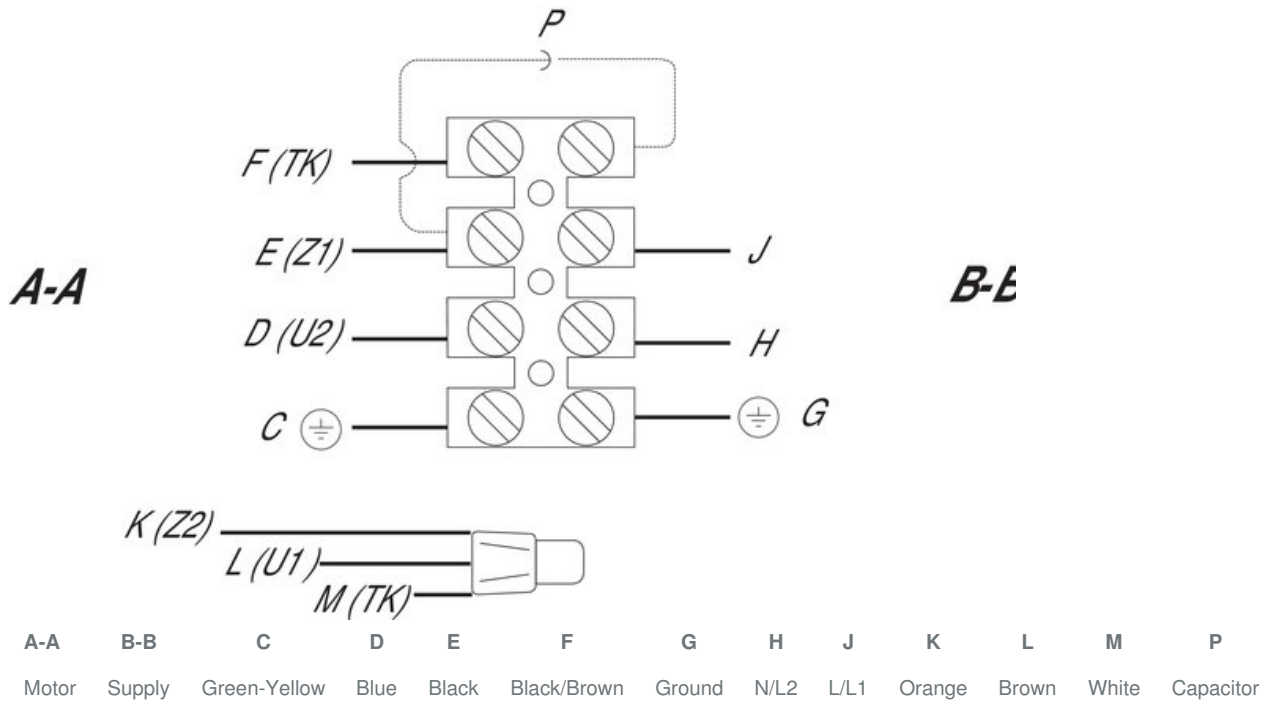
Required air flow	-
Required static pressure	-
Working air flow	-
Working static pressure	-
Air density	0.075 lb/ft ³
Power	-
Fan control - RPM	-
Current	-
SFP	-
Control voltage	-
Supply voltage	-

Dimensions



Model	A	B	C	D1	D2	E	F	G
FADE 8-4	12 5/16	2	10 1/4	7 3/4	8 1/16	1/4	-	-
FADE 10-4	14 9/16	2	12 5/8	10	10 5/16	1/4	-	-
FADE 12-4 / FADE 12-4 WHD	17	3	15	12	12 7/8	5/16	21	15 1/2
FADE 14-4 / FADE 14-4 WHD	19 3/16	3 1/8	17 1/8	14	15 3/8	5/16	21	15 1/2
FADE 16-4 / FADE 16-4 WHD	22 3/4	3 1/2	21	16 1/2	17 1/4	3/8	24	16 1/2
Dimensions in inches								

Wiring



Accessories

- FAT10 Attic Thermostat (411233)
- FTD7 7 Day Digital Timer (49792)
- FH 20 Dehumidistat (410727)
- WC 15 Speed Control (5A) (411102)

Documents

- 401442 FADE OIPM EN.PDF