

ML Solo 1

Humidification unit for small spaces and low ceiling heights. Ideal for 'quiet' areas. Offers a low noise level and the same capacity as traditional compressed-air nozzles.

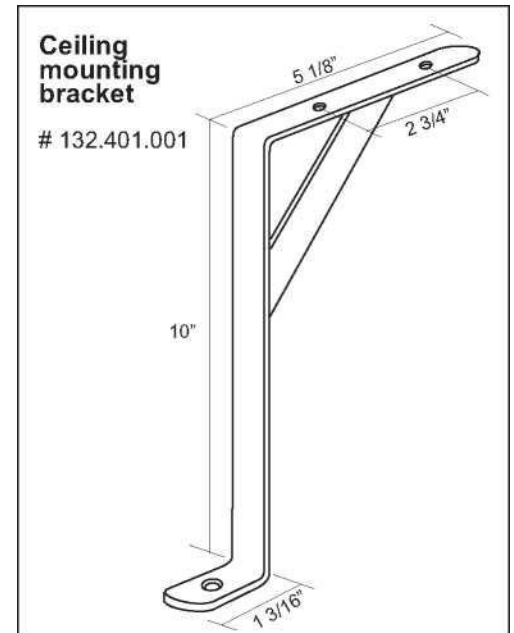
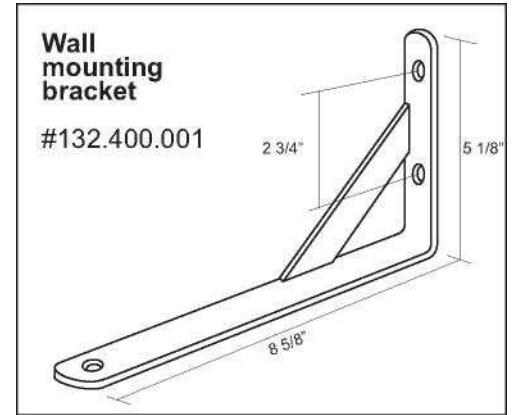
Humidification principle: The humidity is produced when water under high pressure (750-1050 PSI) is atomized into micron-sized particles that immediately evaporate.

Application: For direct humidification and rooms with little demand.

Recommended ceiling height 8 feet.



TECHNICAL DATA	
P/N #: 132112001	Date: 18.05.18



Technical Data

Weight:	Approx. 4.4 lbs.
Size (H x W x D):	7.1" x 5.9" x 6.7"
Installation:	Ceiling or wall mount
Material:	Powder finished steel

Water connection:	1/8" ML hydraulic hose
Electrical connection:	Must be connected to approved switch.

The unit is delivered with 6.5' wire 2 conductor cord 18 gauge Costec type A12 B05 HTB 24 VAC, 50/60Hz, 15/16W

Fan:	
Air capacity:	75 CFM
Humidity capacity:	5.5 - 10 lbs/hr
Noise level:	34/37 dB (A)
MTBF:	50,000 hours
Approval (fan)	UL, CSA, CE, VDE
Min. Distance from nozzle:	10 feet
Accessories:	Wall bracket part # 132400001 or ceiling bracket part # 132401001

Technical data

Technical data ML Solo

	ML Solo 1	ML Solo 2
Weight	4.4 lb	4.4 lb
Size (h x w x d)	7.1 x 5.9 x 6.7 inch	7.1 x 5.9 x 6.7 inch
Noise level	41/44.5 dB(A)	41/44.5 dB(A)
Material	Powder painted steel	Powder painted steel
Air capacity	75 CFM	75 CFM
Humidification capacity	3.3 – 5.5 lb/hr	6.6 – 11 lb/hr
Operating pressure	500 – 1000 psi	500 – 1000 psi
Fan	Axial fan	Axial fan
Approvals (fan)	CE	CE
Connection, water	1/16" ML High pressure hose	1/16" ML High pressure hose
Connection, electricity	Connect to switch according to regulations; supplied with approx. 1 m cable 2 x 0.75 mm ²	Connect to switch according to regulations; supplied with approx. 1 m cable 2 x 0.75 mm ²
Power consumption	24 VAC, 50/60 Hz, 15/16 W, IP55	24 VAC, 50/60 Hz, 15/16 W, IP55
Min. room height	8.0 ft.	8.0 ft.
Min. distance to ceiling	10"	10"
Min. clearance in front of nozzle	9.8 ft.	9.8 ft.
Colour	White / Grey / Black	White / Grey / Black
Nozzles	3.3 and 5.5 lb/hr	3.3 and 5.5 lb/hr
Suspension from wall or ceiling	Wall or ceiling	Wall or ceiling

Noise level

Sound power (LWA) 56.0 dB(A).

Converted to the noise level in free field:

Distance to unit	3 ft. 3 3/8 inch	6 ft. 6 47/64 inch	9 ft. 10 7/64 inch	16 ft. 4 27/32 inch
dB(A)	45	40	35	31

As an option the fan speed is reduced.

Sound power (LWA) at 75% voltage is 48.0 dB(A).