

Multi-Purpose Tanks

Our line of Chilled Water and Hot Water Multi-Purpose tanks deliver all the quality and performance you expect from Taco products. They are built to last with shell, heads and ANSI flanges with ASME constructed for 125 & 150 psi working pressures all while providing outstanding performance in the field, up to a maximum operating temperature of 240°F. These products are available in standard sizes from 2" through 10" to meet the needs of a broad range of applications with custom unit sizes available. Our tank volumes range from 50 gallons up to 1050 gallons with, 8 options, 16 sizes as standard and custom sizes to meet our customers' requirements.



Specifications

Many applications arise where a boiler or chiller may operate in a short cycle condition. Short cycling of the boiler or chiller is not recommended due to the high possibility of damage and or shortened component life. Short cycling is frequently due to the lack of BTU load balance between the demand of the hydronic system and the chiller or boiler BTU capacity.

A Multi-Purpose Tanks (MPT) is often utilized to introduce additional system fluid volume into the hydronic system to reduce the likelihood of this short cycling. A properly sized buffer tank optimizes the operation of the chiller or boiler and often introduces BTU storage allowing the system to operate without cycling the chiller or boiler. MPT's are available in vertical or horizontal orientations with a wide range of diameters and lengths (available storage volumes.)

SPECIFICATIONS

- Designed and constructed per ASME Code Section VIII, Division 1
- Construction: Carbon Steel with exterior red oxide primer finish
- Standard Design Pressure and Temperature: 125 psi @ 240°F
- Flanged inlet and outlet System Connections (standard sizes shown)
- Registered with the National Board of Pressure Vessel Manufacturers
- Integral Air Vent (Suitable for water, max. 50% glycol)
- Factory installed 2' Blow Down Valve
- Brass Flushing Cock
- (1) 3/4" Temperature/ Pressure port on shell
- U-1A Data Report
- 304 stainless steel coalescence pall rings on Options C, D, E, F, G & H
- **(1) 2" NPT Inspection Opening – MPT0050 thru MPT0350**
- **(2) 4"X6" Inspection Handholes – MPT0400 thru MPT1050**

OPTIONS (Consult Factory)

- Optional materials of construction
- Higher design pressures and temperatures
- Optional System Connection sizes available

THERMAL INSULATION

- None
- Chilled Water 1/2' Armaflex (C)
- Heating Water 1' Silicon Blanket (H)
- Other _ D, E, F, G, J, K, L, M, P, R, S & T _ See page 19 for details

OPTIONAL CONNECTION TYPES

- "T" Female NPT Threaded 2" & 2 1/2" only Available on sizes, MPT0050 thru MPT0350
- 3/4" NPT Temperature/Pressure Ports
- (5) 3/4" Temperature/ Pressure ports: One port on shell and on each nozzle
- Optional Anchor Clips
- 150 PSI Working Pressure

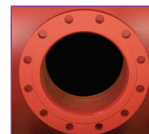


Taco Comfort Solutions is pleased to offer a sizing app to aid in the sizing of Multi-Purpose Tanks. Find the **Buffer Tanks Wizard** at: www.taco-hvac.com/wizard_buffer_tanks.html

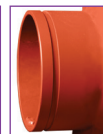


ANSI Flange Data Table Class 150 RF30

SIZE	O.D.	B.C.	#HOLES	HOLE DIA.	CL-CL
2"	6"	4-3/4"	4	3/4"	3.359
3"	7-1/2"	6"	4	3/4"	4.243
4"	9"	7-1/2"	8	3/4"	2.870
6"	11"	9-1/2"	8	7/8"	3.635
8"	13-1/2"	11-3/4"	8	7/8"	4.497
10"	16"	14-1/4"	12	1"	3.688



Flanged (F)



Grooved (G)



2" & 2-1/2" Only

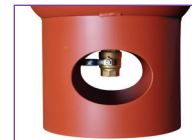
Threaded (T)



Anchor Clips (A)



Saddles



Base Ring



Legs

INSULATION OPTIONS FOR ALL TACO MULTI-PURPOSE TANKS



Chilled Water Insulation



Chilled/Hot Water with Aluminum Jacket Insulation



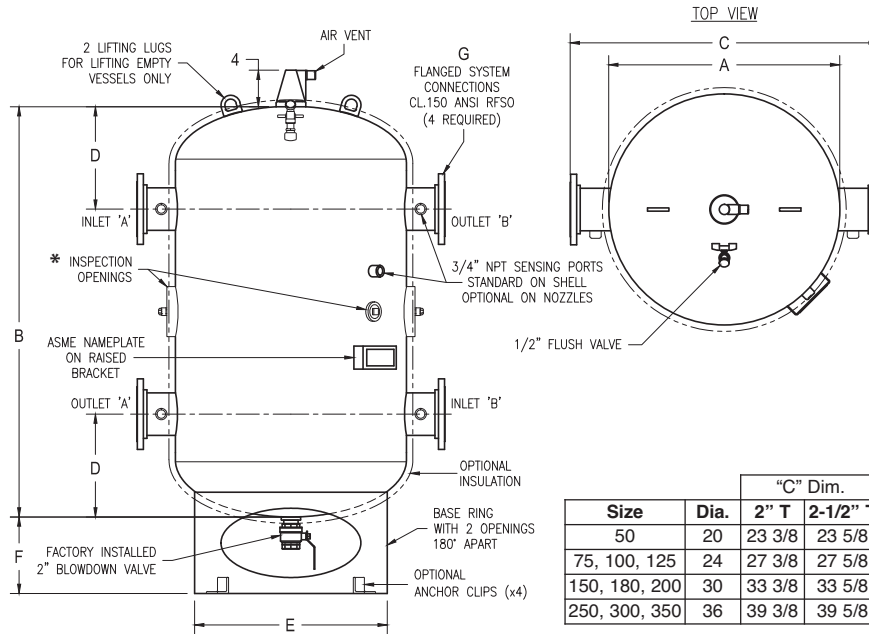
Hot Water Insulation

“MPT” Option A Flanged Vertical Multi-Purpose Tanks



400-1050

* Inspection Openings
(2) 4" x 6" Models 400 through 1050



Size	Dia.	"C" Dim.	
		2" T	2-1/2" T
50	20	23 3/8	23 5/8
75, 100, 125	24	27 3/8	27 5/8
150, 180, 200	30	33 3/8	33 5/8
250, 300, 350	36	39 3/8	39 5/8



50-350

* Inspection Openings
(1) 2" NPTF Models 50 through 350

SIZES & DIMENSIONS

All dimensions shown are subject to change and should not be used for pre-piping. Contact your local Taco representative should certified dimensional drawings be required.



MODEL NUMBER	TANK VOLUME	ACTUAL VOLUME	A TANK DIAMETER	B TANK HEIGHT	C** FLANGE SPREAD	D HEAD TO FLANGE	E BASE RING DIAMETER	F BASE RING AFF	G NOZZLE SIZE	MAX. APPROX. DRY WEIGHT	MAX. APPROX. FLOODED WEIGHT	SURFACE AREA
	GAL.	GAL.	INCH	INCH	INCH	INCH	INCH	INCH	INCH	LBS.	LBS.	(SQ. FT.)
MPT0050F_-125N1AN	50	55	20	43	30	11-1/2	18	12-7/8	2, 3, 4	270	607	21
MPT0075F_-125N1AN	75	82	24	46	34	12-5/8	20	12-7/8	2, 3, 4	320	866	27
MPT0100F_-125N1AN	100	111	24	61	34	12-5/8	20	12-7/8	2, 3, 4	360	1,114	34
MPT0125F_-125N1AN	125	139	24	76	34	12-5/8	20	12-7/8	2, 3, 4	410	1,373	42
MPT0150F_-125N1AN	150	168	30	60	40	14-1/4	24	13-1/2	2, 3, 4	600	1,761	43
MPT0180F_-125N1AN	180	201	30	71	40	14-1/4	24	13-1/2	2, 3, 4	680	2,091	50
MPT0200F_-125N1AN	200	222	30	78	40	14-1/4	24	13-1/2	2, 3, 4	720	2,298	55
MPT0250F_-125N1AN	250	278	36	69	46	16-3/4	30	13-1/2	3, 4, 6	830	2,795	59
MPT0300F_-125N1AN	300	334	36	82	46	16-3/4	30	13-1/2	3, 4, 6	940	3,322	69
MPT0350F_-125N1AN	350	386	36	94	46	16-3/4	30	13-1/2	3, 4, 6	1030	3,829	79
MPT0400F_-125N1AN	400	443	48	65	58	19-5/8	44	12-7/8	4, 6, 8	1230	4,346	80
MPT0450F_-125N1AN	450	497	48	72	58	19-5/8	44	12-7/8	4, 6, 8	1300	4,833	88
MPT0500F_-125N1AN	500	551	48	79	58	19-5/8	44	12-7/8	4, 6, 8	1380	5,330	95
MPT0700F_-125N1AN	700	712	48	100	58	19-5/8	44	12-7/8	4, 6, 8	1520	7,138	117
MPT0850F_-125N1AN	850	873	54	99	64	23-1/2	50	13-1/8	4, 6, 8	2110	8,969	127
MPT1050F_-125N1AN	1050	1,077	60	99	70	25-3/4	54	14	6, 8, 10	2370	10,887	143

Nozzle Ports are shown for placement and clarity only.

** Add 2" to "C" dimension when specifying 10" nozzles

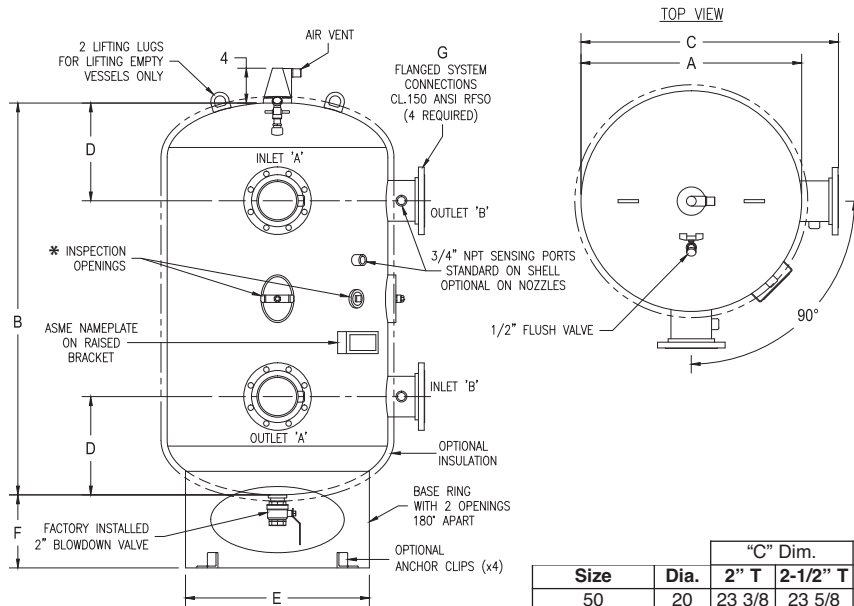
Refer to standard submittal as this sheet is a "Quick Reference Guide" only.
Go to www.TacoComfort.com > Products > Multi-Purpose Tanks > Submittals

"MPT" Option B Flanged Vertical Multi-Purpose Tanks Corner Model



400-1050

* Inspection Openings
(2) 4" x 6" Models 400 through 1050



50-350

* Inspection Openings
(1) 2" NPT Models 50 through 350

Size	Dia.	"C" Dim.	
		2" T	2-1/2" T
50	20	23 3/8	23 5/8
75, 100, 125	24	27 3/8	27 5/8
150, 180, 200	30	33 3/8	33 5/8
250, 300, 350	36	39 3/8	39 5/8

SIZES & DIMENSIONS

All dimensions shown are subject to change and should not be used for pre-piping. Contact your local Taco representative should certified dimensional drawings be required.

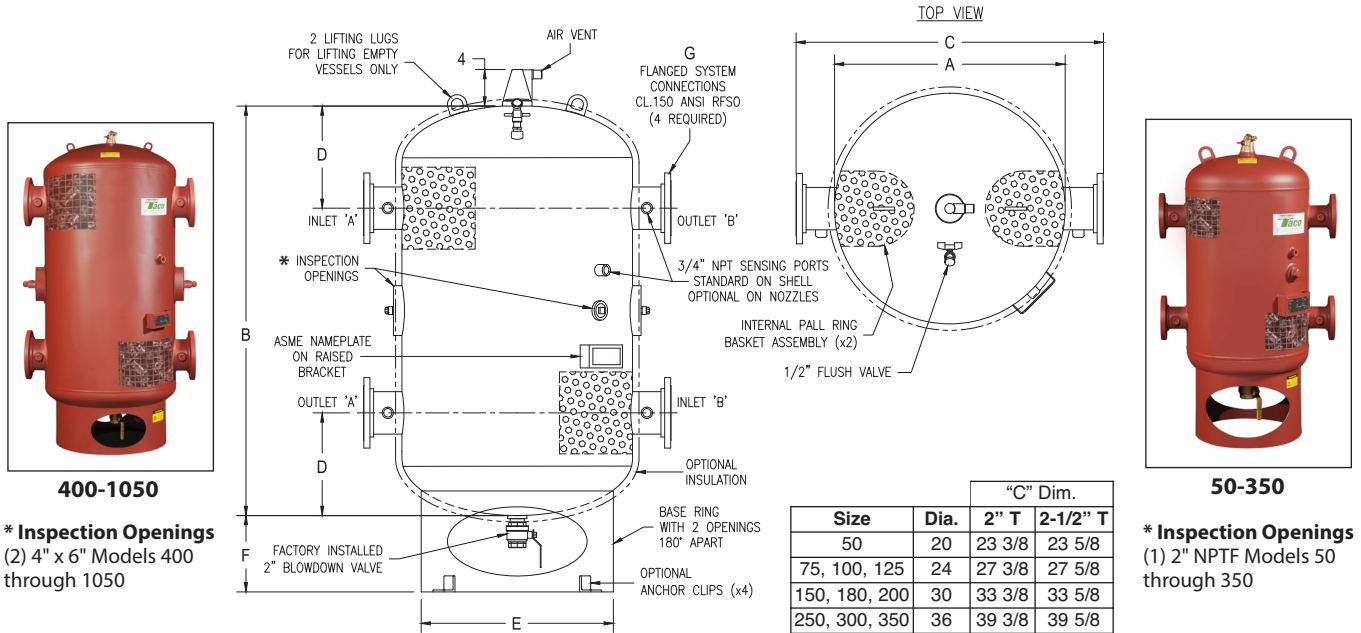


MODEL NUMBER	TANK VOLUME	ACTUAL VOLUME	A TANK DIAMETER	B TANK HEIGHT	C** FLANGE SPREAD	D HEAD TO FLANGE	E BASE RING DIAMETER	F BASE RING AFF	G NOZZLE SIZE	MAX. APPROX. DRY WEIGHT	MAX. APPROX. FLOODED WEIGHT	SURFACE AREA
	GAL.	GAL.	INCH	INCH	INCH	INCH	INCH	INCH	INCH	LBS.	LBS.	(SQ. FT.)
MPT0050F_-125N1BN	50	55	20	43	25	11-1/2	18	12-7/8	2, 3, 4	270	607	21
MPT0075F_-125N1BN	75	82	24	46	29	12-5/8	20	12-7/8	2, 3, 4	320	866	27
MPT0100F_-125N1BN	100	111	24	61	29	12-5/8	20	12-7/8	2, 3, 4	360	1,114	34
MPT0125F_-125N1BN	125	139	24	76	29	12-5/8	20	12-7/8	2, 3, 4	410	1,373	42
MPT0150F_-125N1BN	150	168	30	60	35	14-1/4	24	13-1/2	2, 3, 4	600	1,761	43
MPT0180F_-125N1BN	180	201	30	71	35	14-1/4	24	13-1/2	2, 3, 4	680	2,091	50
MPT0200F_-125N1BN	200	222	30	78	35	14-1/4	24	13-1/2	2, 3, 4	720	2,298	55
MPT0250F_-125N1BN	250	278	36	69	41	16-3/4	30	13-1/2	3, 4, 6	830	2,795	59
MPT0300F_-125N1BN	300	334	36	82	41	16-3/4	30	13-1/2	3, 4, 6	940	3,322	69
MPT0350F_-125N1BN	350	386	36	94	41	16-3/4	30	13-1/2	3, 4, 6	1030	3,829	79
MPT0400F_-125N1BN	400	443	48	65	53	19-5/8	44	12-7/8	4, 6, 8	1230	4,346	80
MPT0450F_-125N1BN	450	497	48	72	53	19-5/8	44	12-7/8	4, 6, 8	1300	4,833	88
MPT0500F_-125N1BN	500	551	48	79	53	19-5/8	44	12-7/8	4, 6, 8	1380	5,330	95
MPT0700F_-125N1BN	700	712	48	100	53	19-5/8	44	12-7/8	4, 6, 8	1520	7,138	117
MPT0850F_-125N1BN	850	873	54	99	59	23-1/2	50	13-1/8	4, 6, 8	2110	8,969	127
MPT1050F_-125N1BN	1050	1,077	60	99	65	25-3/4	54	14	6, 8, 10	2370	10,887	143

Nozzle Ports are shown for placement and clarity only.

** Add 1" to "C" dimension when specifying 10" nozzles

“MPT” Option C Flanged Vertical Multi-Purpose Tanks With 2 Internal Pall Ring Baskets



400-1050
* Inspection Openings (2) 4" x 6" Models 400 through 1050

50-350
* Inspection Openings (1) 2" NPTF Models 50 through 350

Size	Dia.	"C" Dim.	
		2" T	2-1/2" T
50	20	23 3/8	23 5/8
75, 100, 125	24	27 3/8	27 5/8
150, 180, 200	30	33 3/8	33 5/8
250, 300, 350	36	39 3/8	39 5/8

SIZES & DIMENSIONS

All dimensions shown are subject to change and should not be used for pre-piping. Contact your local Taco representative should certified dimensional drawings be required.



MODEL NUMBER	TANK VOLUME	ACTUAL VOLUME	A TANK DIAMETER	B TANK HEIGHT	C** FLANGE SPREAD	D HEAD TO FLANGE	E BASE RING DIAMETER	F BASE RING AFF	G NOZZLE SIZE	MAX. APPROX. DRY WEIGHT	MAX. APPROX. FLOODED WEIGHT	SURFACE AREA
	GAL.	GAL.	INCH	INCH	INCH	INCH	INCH	INCH	INCH	LBS.	LBS.	(SQ. FT.)
MPT0050F_-125N1CN	50	55	20	43	30	11-1/2	18	12-7/8	2, 3, 4	270	607	21
MPT0075F_-125N1CN	75	82	24	46	34	12-5/8	20	12-7/8	2, 3, 4	320	866	27
MPT0100F_-125N1CN	100	111	24	61	34	12-5/8	20	12-7/8	2, 3, 4	360	1,114	34
MPT0125F_-125N1CN	125	139	24	76	34	12-5/8	20	12-7/8	2, 3, 4	410	1,373	42
MPT0150F_-125N1CN	150	168	30	60	40	14-1/4	24	13-1/2	2, 3, 4	600	1,761	43
MPT0180F_-125N1CN	180	201	30	71	40	14-1/4	24	13-1/2	2, 3, 4	680	2,091	50
MPT0200F_-125N1CN	200	222	30	78	40	14-1/4	24	13-1/2	2, 3, 4	720	2,298	55
MPT0250F_-125N1CN	250	278	36	69	46	16-3/4	30	13-1/2	3, 4, 6	830	2,795	59
MPT0300F_-125N1CN	300	334	36	82	46	16-3/4	30	13-1/2	3, 4, 6	940	3,322	69
MPT0350F_-125N1CN	350	386	36	94	46	16-3/4	30	13-1/2	3, 4, 6	1030	3,829	79
MPT0400F_-125N1CN	400	443	48	65	58	19-5/8	44	12-7/8	4, 6, 8	1230	4,346	80
MPT0450F_-125N1CN	450	497	48	72	58	19-5/8	44	12-7/8	4, 6, 8	1300	4,833	88
MPT0500F_-125N1CN	500	551	48	79	58	19-5/8	44	12-7/8	4, 6, 8	1380	5,330	95
MPT0700F_-125N1CN	700	712	48	100	58	19-5/8	44	12-7/8	4, 6, 8	1520	7,138	117
MPT0850F_-125N1CN	850	873	54	99	64	23-1/2	50	13-1/8	4, 6, 8	2110	8,969	127
MPT1050F_-125N1CN	1050	1,077	60	99	70	25-3/4	54	14	6, 8, 10	2370	10,887	143

Nozzle Ports are shown for placement and clarity only.

** Add 2" to "C" dimension when specifying 10" nozzles

Refer to standard submittal as this sheet is a "Quick Reference Guide" only. Go to www.TacoComfort.com > Products > Multi-Purpose Tanks > Submittals

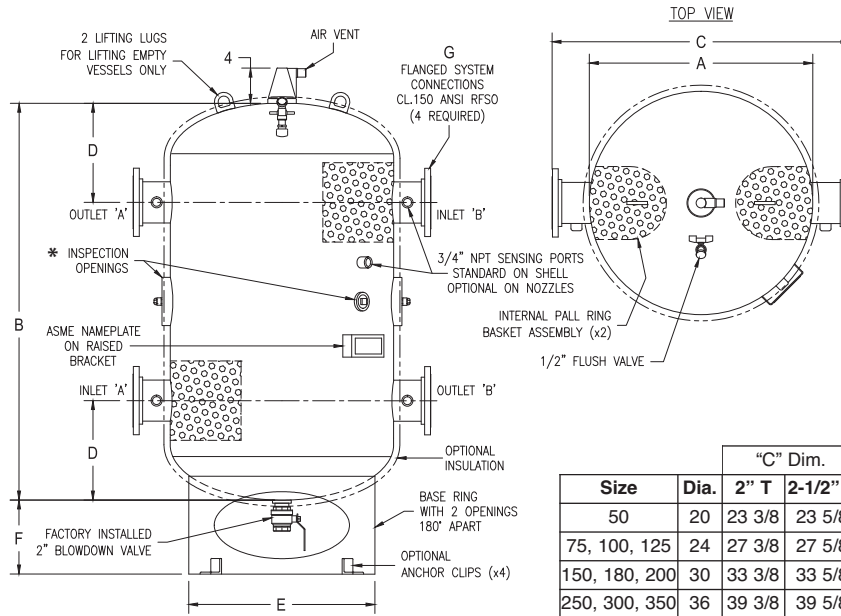
Quick Reference Guide

"MPT" Option D Flanged Vertical Multi-Purpose Tanks with 2 Internal Pall Ring Baskets



400-1050

* Inspection Openings
(2) 4" x 6" Models 400 through 1050



Size	Dia.	"C" Dim.	
		2" T	2-1/2" T
50	20	23 3/8	23 5/8
75, 100, 125	24	27 3/8	27 5/8
150, 180, 200	30	33 3/8	33 5/8
250, 300, 350	36	39 3/8	39 5/8



50-350

* Inspection Openings
(1) 2" NPTF Models 50 through 350

SIZES & DIMENSIONS

All dimensions shown are subject to change and should not be used for pre-piping. Contact your local Taco representative should certified dimensional drawings be required.



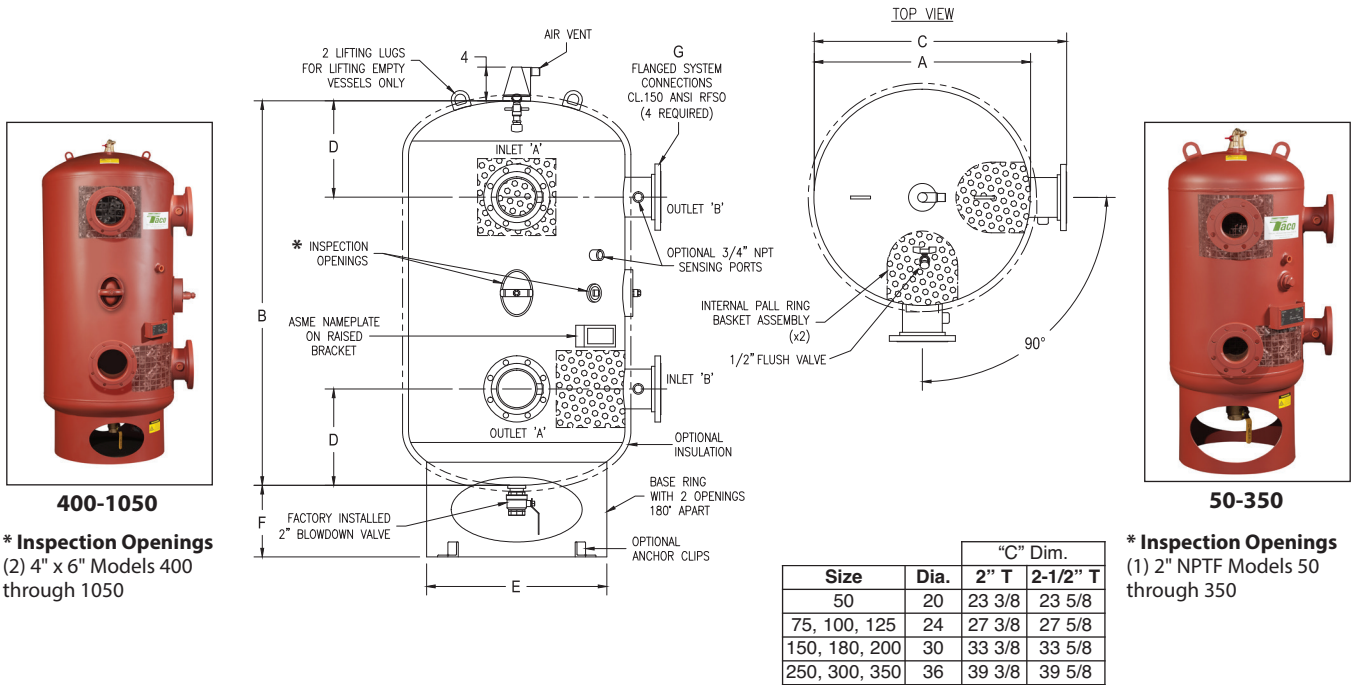
MODEL NUMBER	TANK VOLUME	ACTUAL VOLUME	A TANK DIAMETER	B TANK HEIGHT	C** FLANGE SPREAD	D HEAD TO FLANGE	E BASE RING DIAMETER	F BASE RING AFF	G NOZZLE SIZE	MAX. APPROX. DRY WEIGHT	MAX. APPROX. FLOODED WEIGHT	SURFACE AREA
	GAL.	GAL.	INCH	INCH	INCH	INCH	INCH	INCH	INCH	LBS.	LBS.	(SQ. FT.)
MPT0050F_-125N1DN	50	55	20	43	30	11-1/2	18	12-7/8	2, 3, 4	270	607	21
MPT0075F_-125N1DN	75	82	24	46	34	12-5/8	20	12-7/8	2, 3, 4	320	866	27
MPT0100F_-125N1DN	100	111	24	61	34	12-5/8	20	12-7/8	2, 3, 4	360	1,114	34
MPT0125F_-125N1DN	125	139	24	76	34	12-5/8	20	12-7/8	2, 3, 4	410	1,373	42
MPT0150F_-125N1DN	150	168	30	60	40	14-1/4	24	13-1/2	2, 3, 4	600	1,761	43
MPT0180F_-125N1DN	180	201	30	71	40	14-1/4	24	13-1/2	2, 3, 4	680	2,091	50
MPT0200F_-125N1DN	200	222	30	78	40	14-1/4	24	13-1/2	2, 3, 4	720	2,298	55
MPT0250F_-125N1DN	250	278	36	69	46	16-3/4	30	13-1/2	3, 4, 6	830	2,795	59
MPT0300F_-125N1DN	300	334	36	82	46	16-3/4	30	13-1/2	3, 4, 6	940	3,322	69
MPT0350F_-125N1DN	350	386	36	94	46	16-3/4	30	13-1/2	3, 4, 6	1030	3,829	79
MPT0400F_-125N1DN	400	443	48	65	58	19-5/8	44	12-7/8	4, 6, 8	1230	4,346	80
MPT0450F_-125N1DN	450	497	48	72	58	19-5/8	44	12-7/8	4, 6, 8	1300	4,833	88
MPT0500F_-125N1DN	500	551	48	79	58	19-5/8	44	12-7/8	4, 6, 8	1380	5,330	95
MPT0700F_-125N1DN	700	712	48	100	58	19-5/8	44	12-7/8	4, 6, 8	1520	7,138	117
MPT0850F_-125N1DN	850	873	54	99	64	23-1/2	50	13-1/8	4, 6, 8	2110	8,969	127
MPT1050F_-125N1DN	1050	1,077	60	99	70	25-3/4	54	14	6, 8, 10	2370	10,887	143

Nozzle Ports are shown for placement and clarity only.

** Add 2" to "C" dimension when specifying 10" nozzles

Refer to standard submittal as this sheet is a "Quick Reference Guide" only.
Go to www.TacoComfort.com > Products > Multi-Purpose Tanks > Submittals

"MPT" Option E Flanged Vertical Multi-Purpose Tanks Corner Model with 2 Internal Pall Ring Baskets



400-1050

* Inspection Openings
(2) 4" x 6" Models 400 through 1050

50-350

* Inspection Openings
(1) 2" NPTF Models 50 through 350

Size	Dia.	"C" Dim.	
		2" T	2-1/2" T
50	20	23 3/8	23 5/8
75, 100, 125	24	27 3/8	27 5/8
150, 180, 200	30	33 3/8	33 5/8
250, 300, 350	36	39 3/8	39 5/8

SIZES & DIMENSIONS

All dimensions shown are subject to change and should not be used for pre-piping. Contact your local Taco representative should certified dimensional drawings be required.



MODEL NUMBER	TANK VOLUME	ACTUAL VOLUME	A TANK DIAMETER	B TANK HEIGHT	C** FLANGE SPREAD	D HEAD TO FLANGE	E BASE RING DIAMETER	F BASE RING AFF	G NOZZLE SIZE	MAX. APPROX. DRY WEIGHT	MAX. APPROX. FLOODED WEIGHT	SURFACE AREA
	GAL.	GAL.	INCH	INCH	INCH	INCH	INCH	INCH	INCH	LBS.	LBS.	(SQ. FT.)
MPT0050F_-125N1EN	50	55	20	43	25	11-1/2	18	12-7/8	2, 3, 4	270	607	21
MPT0075F_-125N1EN	75	82	24	46	29	12-5/8	20	12-7/8	2, 3, 4	320	866	27
MPT0100F_-125N1EN	100	111	24	61	29	12-5/8	20	12-7/8	2, 3, 4	360	1,114	34
MPT0125F_-125N1EN	125	139	24	76	29	12-5/8	20	12-7/8	2, 3, 4	410	1,373	42
MPT0150F_-125N1EN	150	168	30	60	35	14-1/4	24	13-1/2	2, 3, 4	600	1,761	43
MPT0180F_-125N1EN	180	201	30	71	35	14-1/4	24	13-1/2	2, 3, 4	680	2,091	50
MPT0200F_-125N1EN	200	222	30	78	35	14-1/4	24	13-1/2	2, 3, 4	720	2,298	55
MPT0250F_-125N1EN	250	278	36	69	41	16-3/4	30	13-1/2	3, 4, 6	830	2,795	59
MPT0300F_-125N1EN	300	334	36	82	41	16-3/4	30	13-1/2	3, 4, 6	940	3,322	69
MPT0350F_-125N1EN	350	386	36	94	41	16-3/4	30	13-1/2	3, 4, 6	1030	3,829	79
MPT0400F_-125N1EN	400	443	48	65	53	19-5/8	44	12-7/8	4, 6, 8	1230	4,346	80
MPT0450F_-125N1EN	450	497	48	72	53	19-5/8	44	12-7/8	4, 6, 8	1300	4,833	88
MPT0500F_-125N1EN	500	551	48	79	53	19-5/8	44	12-7/8	4, 6, 8	1380	5,330	95
MPT0700F_-125N1EN	700	712	48	100	53	19-5/8	44	12-7/8	4, 6, 8	1520	7,138	117
MPT0850F_-125N1EN	850	873	54	99	59	23-1/2	50	13-1/8	4, 6, 8	2110	8,969	127
MPT1050F_-125N1EN	1050	1,077	60	99	65	25-3/4	54	14	6, 8, 10	2370	10,887	143

Nozzle Ports are shown for placement and clarity only.

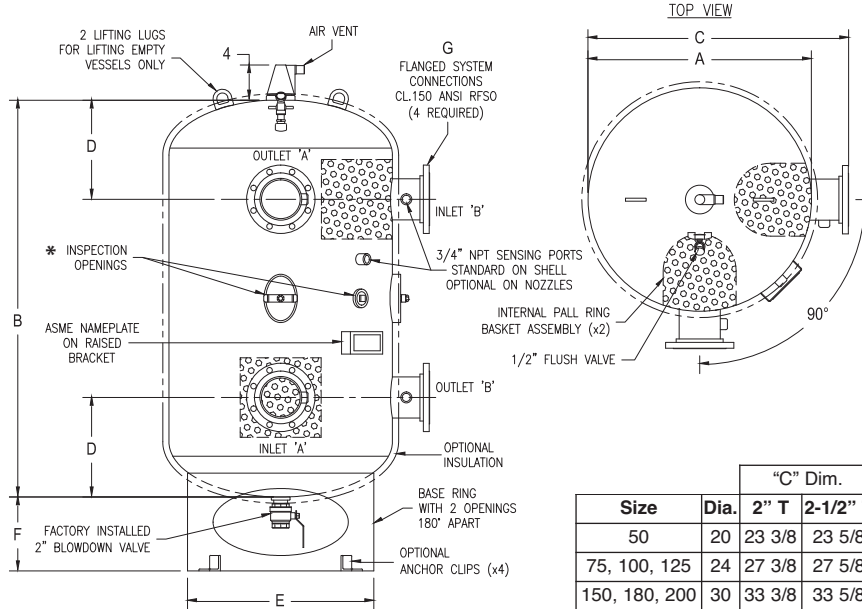
** Add 1" to "C" dimension when specifying 10" nozzles

Refer to standard submittal as this sheet is a "Quick Reference Guide" only.
Go to www.TacoComfort.com > Products > Multi-Purpose Tanks > Submittals

“MPT” Option F Flanged Vertical Multi-Purpose Tanks Corner Model with 2 Internal Pall Ring Baskets



400-1050
* Inspection Openings
(2) 4" x 6" Models 400 through 1050



50-350
* Inspection Openings
(1) 2" NPTF Models 50 through 350

Size	Dia.	"C" Dim.	
		2" T	2-1/2" T
50	20	23 3/8	23 5/8
75, 100, 125	24	27 3/8	27 5/8
150, 180, 200	30	33 3/8	33 5/8
250, 300, 350	36	39 3/8	39 5/8

SIZES & DIMENSIONS

All dimensions shown are subject to change and should not be used for pre-piping. Contact your local Taco representative should certified dimensional drawings be required.



MODEL NUMBER	TANK VOLUME	ACTUAL VOLUME	A TANK DIAMETER	B TANK HEIGHT	C** FLANGE SPREAD	D HEAD TO FLANGE	E BASE RING DIAMETER	F BASE RING AFF	G NOZZLE SIZE	MAX. APPROX. DRY WEIGHT	MAX. APPROX. FLOODED WEIGHT	SURFACE AREA
	GAL.	GAL.	INCH	INCH	INCH	INCH	INCH	INCH	INCH	LBS.	LBS.	(SQ. FT.)
MPT0050F_-125N1FN	50	55	20	43	25	11-1/2	18	12-7/8	2, 3, 4	270	607	21
MPT0075F_-125N1FN	75	82	24	46	29	12-5/8	20	12-7/8	2, 3, 4	320	866	27
MPT0100F_-125N1FN	100	111	24	61	29	12-5/8	20	12-7/8	2, 3, 4	360	1,114	34
MPT0125F_-125N1FN	125	139	24	76	29	12-5/8	20	12-7/8	2, 3, 4	410	1,373	42
MPT0150F_-125N1FN	150	168	30	60	35	14-1/4	24	13-1/2	2, 3, 4	600	1,761	43
MPT0180F_-125N1FN	180	201	30	71	35	14-1/4	24	13-1/2	2, 3, 4	680	2,091	50
MPT0200F_-125N1FN	200	222	30	78	35	14-1/4	24	13-1/2	2, 3, 4	720	2,298	55
MPT0250F_-125N1FN	250	278	36	69	41	16-3/4	30	13-1/2	3, 4, 6	830	2,795	59
MPT0300F_-125N1FN	300	334	36	82	41	16-3/4	30	13-1/2	3, 4, 6	940	3,322	69
MPT0350F_-125N1FN	350	386	36	94	41	16-3/4	30	13-1/2	3, 4, 6	1030	3,829	79
MPT0400F_-125N1FN	400	443	48	65	53	19-5/8	44	12-7/8	4, 6, 8	1230	4,346	80
MPT0450F_-125N1FN	450	497	48	72	53	19-5/8	44	12-7/8	4, 6, 8	1300	4,833	88
MPT0500F_-125N1FN	500	551	48	79	53	19-5/8	44	12-7/8	4, 6, 8	1380	5,330	95
MPT0700F_-125N1FN	700	712	48	100	53	19-5/8	44	12-7/8	4, 6, 8	1520	7,138	117
MPT0850F_-125N1FN	850	873	54	99	59	23-1/2	50	13-1/8	4, 6, 8	2110	8,969	127
MPT1050F_-125N1FN	1050	1,077	60	99	65	25-3/4	54	14	6, 8, 10	2370	10,887	143

Nozzle Ports are shown for placement and clarity only.

** Add 1" to "C" dimension when specifying 10" nozzles

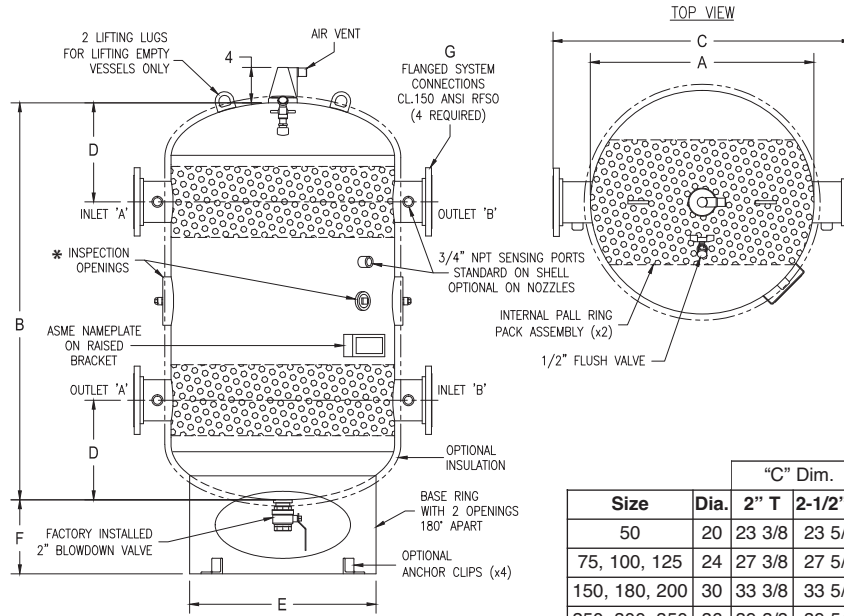
Refer to standard submittal as this sheet is a "Quick Reference Guide" only.
Go to www.TacoComfort.com > Products > Multi-Purpose Tanks > Submittals

“MPT” Option G Flanged Vertical Multi-Purpose Tanks With 2 Internal Pall Ring Packs



400-1050

* Inspection Openings
(2) 4" x 6" Models 400 through 1050



Size	Dia.	"C" Dim.	
		2" T	2-1/2" T
50	20	23 3/8	23 5/8
75, 100, 125	24	27 3/8	27 5/8
150, 180, 200	30	33 3/8	33 5/8
250, 300, 350	36	39 3/8	39 5/8



50-350

* Inspection Openings
(1) 2" NPTF Models 50 through 350

SIZES & DIMENSIONS

All dimensions shown are subject to change and should not be used for pre-piping. Contact your local Taco representative should certified dimensional drawings be required.



MODEL NUMBER	TANK VOLUME	ACTUAL VOLUME	A TANK DIAMETER	B TANK HEIGHT	C** FLANGE SPREAD	D HEAD TO FLANGE	E BASE RING DIAMETER	F BASE RING AFF	G NOZZLE SIZE	MAX. APPROX. DRY WEIGHT	MAX. APPROX. FLOODED WEIGHT	SURFACE AREA
	GAL.	GAL.	INCH	INCH	INCH	INCH	INCH	INCH	INCH	LBS.	LBS.	(SQ. FT.)
MPT0050F_-125N1GN	50	55	20	43	30	11-1/2	18	12-7/8	2, 3, 4	270	607	21
MPT0075F_-125N1GN	75	82	24	46	34	12-5/8	20	12-7/8	2, 3, 4	320	866	27
MPT0100F_-125N1GN	100	111	24	61	34	12-5/8	20	12-7/8	2, 3, 4	360	1,114	34
MPT0125F_-125N1GN	125	139	24	76	34	12-5/8	20	12-7/8	2, 3, 4	410	1,373	42
MPT0150F_-125N1GN	150	168	30	60	40	14-1/4	24	13-1/2	2, 3, 4	600	1,761	43
MPT0180F_-125N1GN	180	201	30	71	40	14-1/4	24	13-1/2	2, 3, 4	680	2,091	50
MPT0200F_-125N1GN	200	222	30	78	40	14-1/4	24	13-1/2	2, 3, 4	720	2,298	55
MPT0250F_-125N1GN	250	278	36	69	46	16-3/4	30	13-1/2	3, 4, 6	830	2,795	59
MPT0300F_-125N1GN	300	334	36	82	46	16-3/4	30	13-1/2	3, 4, 6	940	3,322	69
MPT0350F_-125N1GN	350	386	36	94	46	16-3/4	30	13-1/2	3, 4, 6	1030	3,829	79
MPT0400F_-125N1GN	400	443	48	65	58	19-5/8	44	12-7/8	4, 6, 8	1230	4,346	80
MPT0450F_-125N1GN	450	497	48	72	58	19-5/8	44	12-7/8	4, 6, 8	1300	4,833	88
MPT0500F_-125N1GN	500	551	48	79	58	19-5/8	44	12-7/8	4, 6, 8	1380	5,330	95
MPT0700F_-125N1GN	700	712	48	100	58	19-5/8	44	12-7/8	4, 6, 8	1520	7,138	117
MPT0850F_-125N1GN	850	873	54	99	64	23-1/2	50	13-1/8	4, 6, 8	2110	8,969	127
MPT1050F_-125N1GN	1050	1,077	60	99	70	25-3/4	54	14	6, 8, 10	2370	10,887	143

Nozzle Ports are shown for placement and clarity only.

** Add 2" to "C" dimension when specifying 10" nozzles

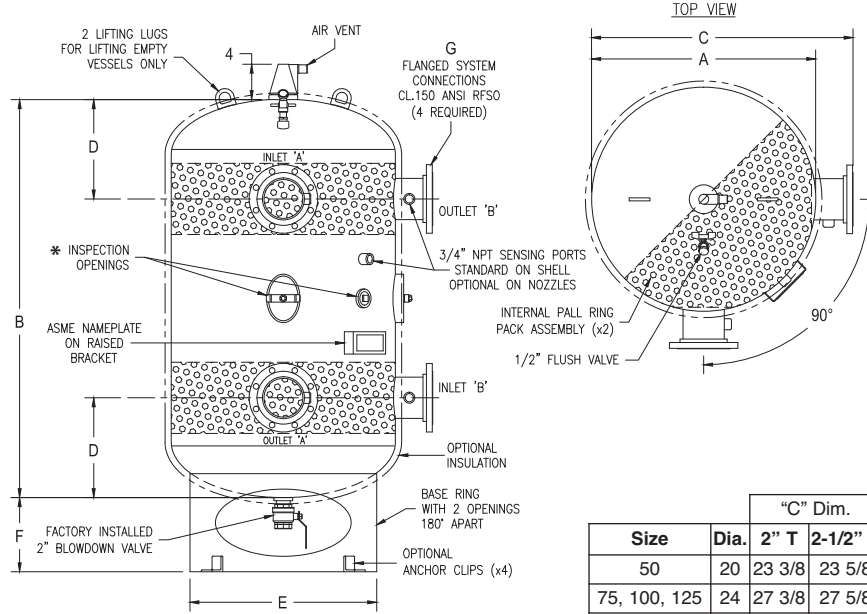
Refer to standard submittal as this sheet is a "Quick Reference Guide" only. Go to www.TacoComfort.com > Products > Multi-Purpose Tanks > Submittals

"MPT" Option H Flanged Vertical Multi-Purpose Tanks Corner Model with 2 Internal Pall Ring Packs



400-1050

* Inspection Openings
(2) 4" x 6" Models 400 through 1050



50-350

* Inspection Openings
(1) 2" NPTF Models 50 through 350

Size	Dia.	"C" Dim.	
		2" T	2-1/2" T
50	20	23 3/8	23 5/8
75, 100, 125	24	27 3/8	27 5/8
150, 180, 200	30	33 3/8	33 5/8
250, 300, 350	36	39 3/8	39 5/8

SIZES & DIMENSIONS

All dimensions shown are subject to change and should not be used for pre-piping. Contact your local Taco representative should certified dimensional drawings be required.

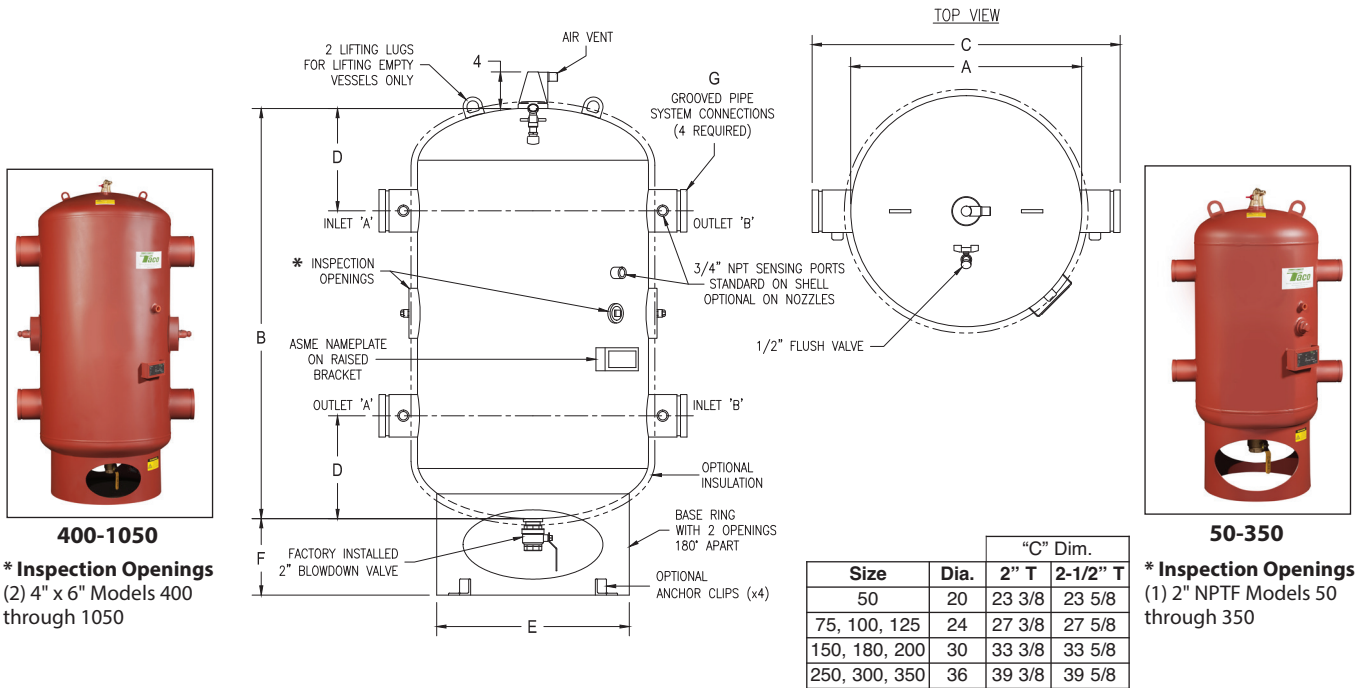


MODEL NUMBER	TANK VOLUME	ACTUAL VOLUME	A TANK DIAMETER	B TANK HEIGHT	C** FLANGE SPREAD	D HEAD TO FLANGE	E BASE RING DIAMETER	F BASE RING AFF	G NOZZLE SIZE	MAX. APPROX. DRY WEIGHT	MAX. APPROX. FLOODED WEIGHT	SURFACE AREA
	GAL.	GAL.	INCH	INCH	INCH	INCH	INCH	INCH	INCH	LBS.	LBS.	(SQ. FT.)
MPT0050F_-125N1HN	50	55	20	43	25	11-1/2	18	12-7/8	2, 3, 4	270	607	21
MPT0075F_-125N1HN	75	82	24	46	29	12-5/8	20	12-7/8	2, 3, 4	320	866	27
MPT0100F_-125N1HN	100	111	24	61	29	12-5/8	20	12-7/8	2, 3, 4	360	1,114	34
MPT0125F_-125N1HN	125	139	24	76	29	12-5/8	20	12-7/8	2, 3, 4	410	1,373	42
MPT0150F_-125N1HN	150	168	30	60	35	14-1/4	24	13-1/2	2, 3, 4	600	1,761	43
MPT0180F_-125N1HN	180	201	30	71	35	14-1/4	24	13-1/2	2, 3, 4	680	2,091	50
MPT0200F_-125N1HN	200	222	30	78	35	14-1/4	24	13-1/2	2, 3, 4	720	2,298	55
MPT0250F_-125N1HN	250	278	36	69	41	16-3/4	30	13-1/2	3, 4, 6	830	2,795	59
MPT0300F_-125N1HN	300	334	36	82	41	16-3/4	30	13-1/2	3, 4, 6	940	3,322	69
MPT0350F_-125N1HN	350	386	36	94	41	16-3/4	30	13-1/2	3, 4, 6	1030	3,829	79
MPT0400F_-125N1HN	400	443	48	65	53	19-5/8	44	12-7/8	4, 6, 8	1230	4,346	80
MPT0450F_-125N1HN	450	497	48	72	53	19-5/8	44	12-7/8	4, 6, 8	1300	4,833	88
MPT0500F_-125N1HN	500	551	48	79	53	19-5/8	44	12-7/8	4, 6, 8	1380	5,330	95
MPT0700F_-125N1HN	700	712	48	100	53	19-5/8	44	12-7/8	4, 6, 8	1520	7,138	117
MPT0850F_-125N1HN	850	873	54	99	59	23-1/2	50	13-1/8	4, 6, 8	2110	8,969	127
MPT1050F_-125N1HN	1050	1,077	60	99	65	25-3/4	54	14	6, 8, 10	2370	10,887	143

Nozzle Ports are shown for placement and clarity only.

** Add 1" to "C" dimension when specifying 10" nozzles

“MPT” Option A Grooved Vertical Multi-Purpose Tanks



SIZES & DIMENSIONS

All dimensions shown are subject to change and should not be used for pre-piping. Contact your local Taco representative should certified dimensional drawings be required.



MODEL NUMBER	TANK VOLUME	ACTUAL VOLUME	A TANK DIAMETER	B TANK HEIGHT	C** FLANGE SPREAD	D HEAD TO FLANGE	E BASE RING DIAMETER	F BASE RING AFF	G NOZZLE SIZE	MAX. APPROX. DRY WEIGHT	MAX. APPROX. FLOODED WEIGHT	SURFACE AREA
	GAL.	GAL.	INCH	INCH	INCH	INCH	INCH	INCH	INCH	LBS.	LBS.	(SQ. FT.)
MPT0050G_-125N1AN	50	55	20	43	30	11-1/2	18	12-7/8	2, 3, 4	270	607	21
MPT0075G_-125N1AN	75	82	24	46	34	12-5/8	20	12-7/8	2, 3, 4	320	866	27
MPT0100G_-125N1AN	100	111	24	61	34	12-5/8	20	12-7/8	2, 3, 4	360	1,114	34
MPT0125G_-125N1AN	125	139	24	76	34	12-5/8	20	12-7/8	2, 3, 4	410	1,373	42
MPT0150G_-125N1AN	150	168	30	60	40	14-1/4	24	13-1/2	2, 3, 4	600	1,761	43
MPT0180G_-125N1AN	180	201	30	71	40	14-1/4	24	13-1/2	2, 3, 4	680	2,091	50
MPT0200G_-125N1AN	200	222	30	78	40	14-1/4	24	13-1/2	2, 3, 4	720	2,298	55
MPT0250G_-125N1AN	250	278	36	69	46	16-3/4	30	13-1/2	3, 4, 6	830	2,795	59
MPT0300G_-125N1AN	300	334	36	82	46	16-3/4	30	13-1/2	3, 4, 6	940	3,322	69
MPT0350G_-125N1AN	350	386	36	94	46	16-3/4	30	13-1/2	3, 4, 6	1030	3,829	79
MPT0400G_-125N1AN	400	443	48	65	58	19-5/8	44	12-7/8	4, 6, 8	1230	4,346	80
MPT0450G_-125N1AN	450	497	48	72	58	19-5/8	44	12-7/8	4, 6, 8	1300	4,833	88
MPT0500G_-125N1AN	500	551	48	79	58	19-5/8	44	12-7/8	4, 6, 8	1380	5,330	95
MPT0700G_-125N1AN	700	712	48	100	58	19-5/8	44	12-7/8	4, 6, 8	1520	7,138	117
MPT0850G_-125N1AN	850	873	54	99	64	23-1/2	50	13-1/8	4, 6, 8	2110	8,969	127
MPT1050G_-125N1AN	1050	1,077	60	99	70	25-3/4	54	14	6, 8, 10	2370	10,887	143

Nozzle Ports are shown for placement and clarity only.

** Add 2" to "C" dimension when specifying 10" nozzles

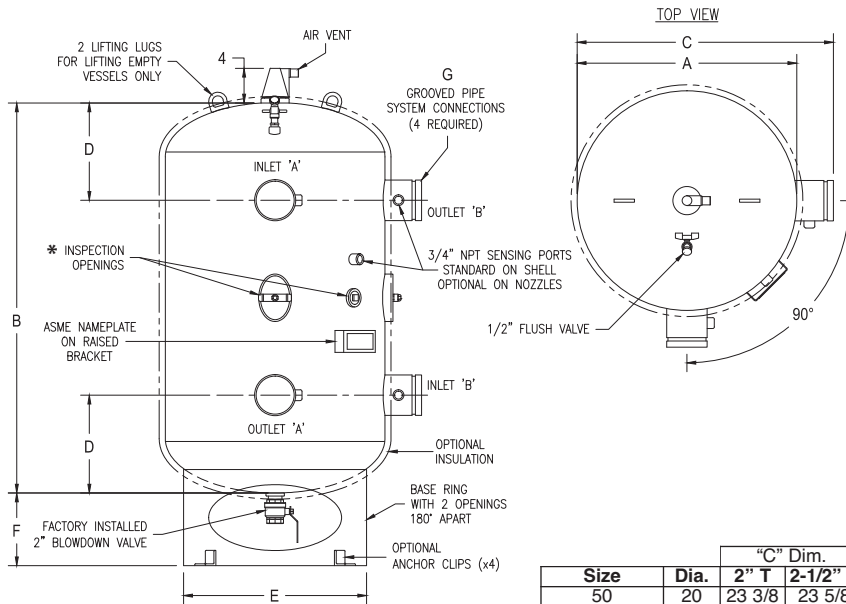
Refer to standard submittal as this sheet is a "Quick Reference Guide" only. Go to www.TacoComfort.com > Products > Multi-Purpose Tanks > Submittals

"MPT" Option B Grooved Vertical Multi-Purpose Tanks Corner Model



400-1050

* Inspection Openings
(2) 4" x 6" Models 400 through 1050



50-350

* Inspection Openings
(1) 2" NPTF Models 50 through 350

Size	Dia.	"C" Dim.	
		2" T	2-1/2" T
50	20	23 3/8	23 5/8
75, 100, 125	24	27 3/8	27 5/8
150, 180, 200	30	33 3/8	33 5/8
250, 300, 350	36	39 3/8	39 5/8

SIZES & DIMENSIONS

All dimensions shown are subject to change and should not be used for pre-piping. Contact your local Taco representative should certified dimensional drawings be required.



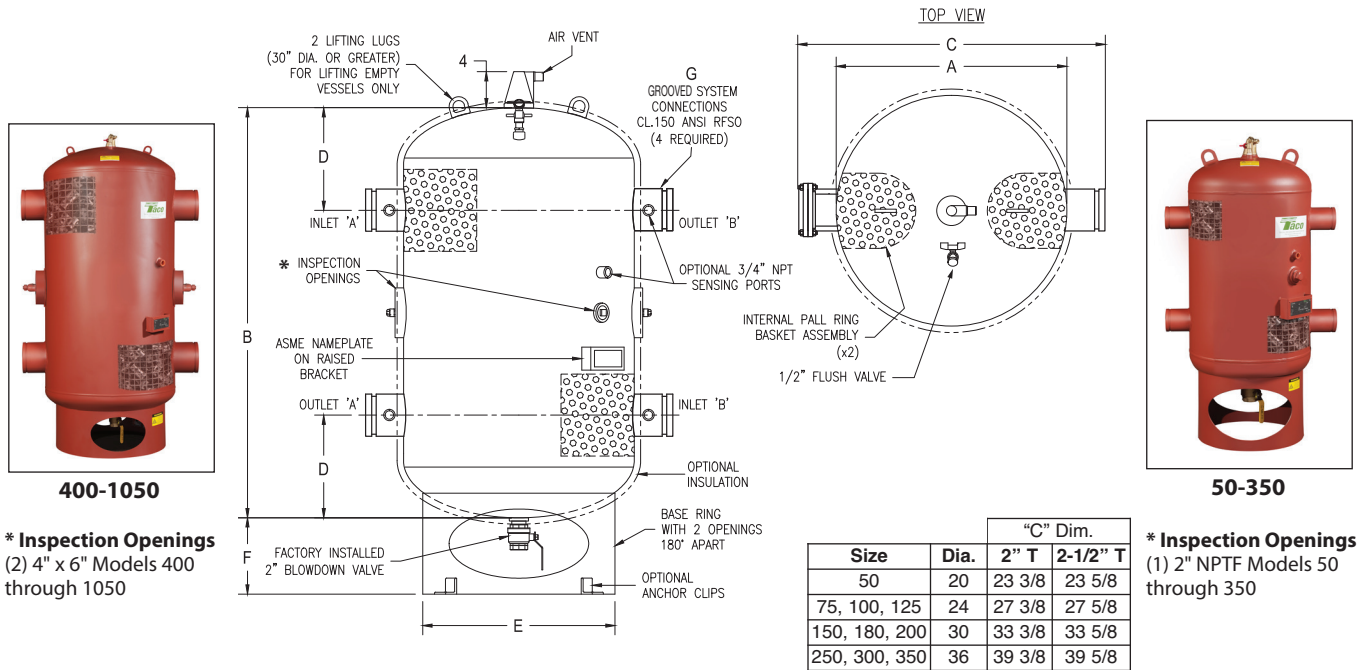
MODEL NUMBER	TANK VOLUME	ACTUAL VOLUME	A TANK DIAMETER	B TANK HEIGHT	C** FLANGE SPREAD	D HEAD TO FLANGE	E BASE RING DIAMETER	F BASE RING AFF	G NOZZLE SIZE	MAX. APPROX. DRY WEIGHT	MAX. APPROX. FLOODED WEIGHT	SURFACE AREA
	GAL.	GAL.	INCH	INCH	INCH	INCH	INCH	INCH	INCH	LBS.	LBS.	(SQ. FT.)
MPT0050G_-125N1BN	50	55	20	43	25	11-1/2	18	12-7/8	2, 3, 4	270	607	21
MPT0075G_-125N1BN	75	82	24	46	29	12-5/8	20	12-7/8	2, 3, 4	320	866	27
MPT0100G_-125N1BN	100	111	24	61	29	12-5/8	20	12-7/8	2, 3, 4	360	1,114	34
MPT0125G_-125N1BN	125	139	24	76	29	12-5/8	20	12-7/8	2, 3, 4	410	1,373	42
MPT0150G_-125N1BN	150	168	30	60	35	14-1/4	24	13-1/2	2, 3, 4	600	1,761	43
MPT0180G_-125N1BN	180	201	30	71	35	14-1/4	24	13-1/2	2, 3, 4	680	2,091	50
MPT0200G_-125N1BN	200	222	30	78	35	14-1/4	24	13-1/2	2, 3, 4	720	2,298	55
MPT0250G_-125N1BN	250	278	36	69	41	16-3/4	30	13-1/2	3, 4, 6	830	2,795	59
MPT0300G_-125N1BN	300	334	36	82	41	16-3/4	30	13-1/2	3, 4, 6	940	3,322	69
MPT0350G_-125N1BN	350	386	36	94	41	16-3/4	30	13-1/2	3, 4, 6	1030	3,829	79
MPT0400G_-125N1BN	400	443	48	65	53	19-5/8	44	12-7/8	4, 6, 8	1230	4,346	80
MPT0450G_-125N1BN	450	497	48	72	53	19-5/8	44	12-7/8	4, 6, 8	1300	4,833	88
MPT0500G_-125N1BN	500	551	48	79	53	19-5/8	44	12-7/8	4, 6, 8	1380	5,330	95
MPT0700G_-125N1BN	700	712	48	100	53	19-5/8	44	12-7/8	4, 6, 8	1520	7,138	117
MPT0850G_-125N1BN	850	873	54	99	59	23-1/2	50	13-1/8	4, 6, 8	2110	8,969	127
MPT1050G_-125N1BN	1050	1,077	60	99	65	25-3/4	54	14	6, 8, 10	2370	10,887	143

Nozzle Ports are shown for placement and clarity only.

** Add 1" to "C" dimension when specifying 10" nozzles

Refer to standard submittal as this sheet is a "Quick Reference Guide" only.
Go to www.TacoComfort.com > Products > Multi-Purpose Tanks > Submittals

“MPT” Option C Grooved Vertical Multi-Purpose Tanks With 2 Internal Pall Ring Baskets



* Inspection Openings (2) 4" x 6" Models 400 through 1050

* Inspection Openings (1) 2" NPTF Models 50 through 350

Size	Dia.	"C" Dim.	
		2" T	2-1/2" T
50	20	23 3/8	23 5/8
75, 100, 125	24	27 3/8	27 5/8
150, 180, 200	30	33 3/8	33 5/8
250, 300, 350	36	39 3/8	39 5/8

SIZES & DIMENSIONS

All dimensions shown are subject to change and should not be used for pre-piping. Contact your local Taco representative should certified dimensional drawings be required.



MODEL NUMBER	TANK VOLUME	ACTUAL VOLUME	A TANK DIAMETER	B TANK HEIGHT	C** FLANGE SPREAD	D HEAD TO FLANGE	E BASE RING DIAMETER	F BASE RING AFF	G NOZZLE SIZE	MAX. APPROX. DRY WEIGHT	MAX. APPROX. FLOODED WEIGHT	SURFACE AREA
	GAL.	GAL.	INCH	INCH	INCH	INCH	INCH	INCH	INCH	LBS.	LBS.	(SQ. FT.)
MPT0050G_-125N1CN	50	55	20	43	30	11-1/2	18	12-7/8	2, 3, 4	270	607	21
MPT0075G_-125N1CN	75	82	24	46	34	12-5/8	20	12-7/8	2, 3, 4	320	866	27
MPT0100G_-125N1CN	100	111	24	61	34	12-5/8	20	12-7/8	2, 3, 4	360	1,114	34
MPT0125G_-125N1CN	125	139	24	76	34	12-5/8	20	12-7/8	2, 3, 4	410	1,373	42
MPT0150G_-125N1CN	150	168	30	60	40	14-1/4	24	13-1/2	2, 3, 4	600	1,761	43
MPT0180G_-125N1CN	180	201	30	71	40	14-1/4	24	13-1/2	2, 3, 4	680	2,091	50
MPT0200G_-125N1CN	200	222	30	78	40	14-1/4	24	13-1/2	2, 3, 4	720	2,298	55
MPT0250G_-125N1CN	250	278	36	69	46	16-3/4	30	13-1/2	3, 4, 6	830	2,795	59
MPT0300G_-125N1CN	300	334	36	82	46	16-3/4	30	13-1/2	3, 4, 6	940	3,322	69
MPT0350G_-125N1CN	350	386	36	94	46	16-3/4	30	13-1/2	3, 4, 6	1030	3,829	79
MPT0400G_-125N1CN	400	443	48	65	58	19-5/8	44	12-7/8	4, 6, 8	1230	4,346	80
MPT0450G_-125N1CN	450	497	48	72	58	19-5/8	44	12-7/8	4, 6, 8	1300	4,833	88
MPT0500G_-125N1CN	500	551	48	79	58	19-5/8	44	12-7/8	4, 6, 8	1380	5,330	95
MPT0700G_-125N1CN	700	712	48	100	58	19-5/8	44	12-7/8	4, 6, 8	1520	7,138	117
MPT0850G_-125N1CN	850	873	54	99	64	23-1/2	50	13-1/8	4, 6, 8	2110	8,969	127
MPT1050G_-125N1CN	1050	1,077	60	99	70	25-3/4	54	14	6, 8, 10	2370	10,887	143

Nozzle Ports are shown for placement and clarity only.

** Add 2" to "C" dimension when specifying 10" nozzles

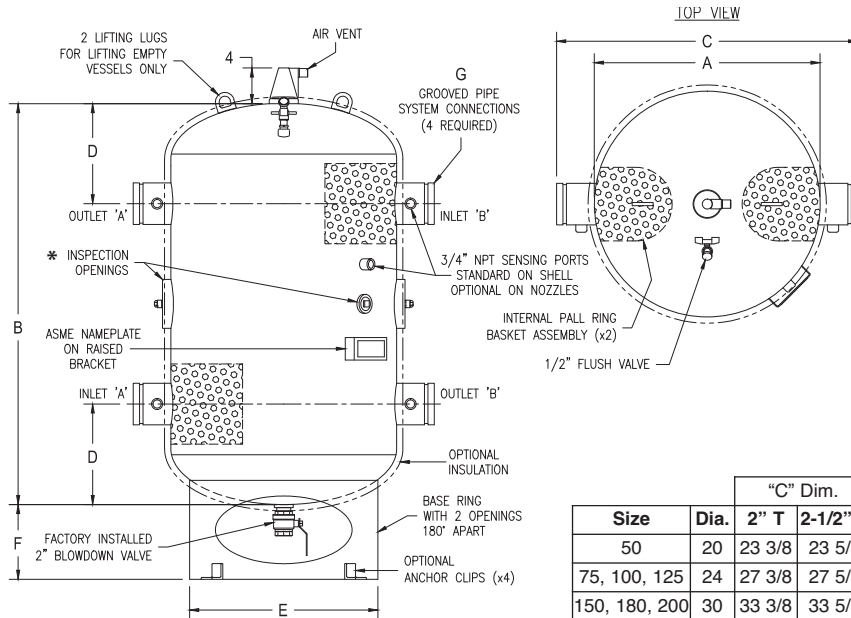
Refer to standard submittal as this sheet is a "Quick Reference Guide" only. Go to www.TacoComfort.com > Products > Multi-Purpose Tanks > Submittals

"MPT" Option D Grooved Vertical Multi-Purpose Tanks With 2 Internal Pall Ring Baskets



400-1050

* Inspection Openings
(2) 4" x 6" Models 400 through 1050



50-350

* Inspection Openings
(1) 2" NPTF Models 50 through 350

Size	Dia.	"C" Dim.	
		2" T	2-1/2" T
50	20	23 3/8	23 5/8
75, 100, 125	24	27 3/8	27 5/8
150, 180, 200	30	33 3/8	33 5/8
250, 300, 350	36	39 3/8	39 5/8

SIZES & DIMENSIONS

All dimensions shown are subject to change and should not be used for pre-piping. Contact your local Taco representative should certified dimensional drawings be required.



MODEL NUMBER	TANK VOLUME	ACTUAL VOLUME	A TANK DIAMETER	B TANK HEIGHT	C** FLANGE SPREAD	D HEAD TO FLANGE	E BASE RING DIAMETER	F BASE RING AFF	G NOZZLE SIZE	MAX. APPROX. DRY WEIGHT	MAX. APPROX. FLOODED WEIGHT	SURFACE AREA
	GAL.	GAL.	INCH	INCH	INCH	INCH	INCH	INCH	INCH	LBS.	LBS.	(SQ. FT.)
MPT0050G_-125N1DN	50	55	20	43	30	11-1/2	18	12-7/8	2, 3, 4	270	607	21
MPT0075G_-125N1DN	75	82	24	46	34	12-5/8	20	12-7/8	2, 3, 4	320	866	27
MPT0100G_-125N1DN	100	111	24	61	34	12-5/8	20	12-7/8	2, 3, 4	360	1,114	34
MPT0125G_-125N1DN	125	139	24	76	34	12-5/8	20	12-7/8	2, 3, 4	410	1,373	42
MPT0150G_-125N1DN	150	168	30	60	40	14-1/4	24	13-1/2	2, 3, 4	600	1,761	43
MPT0180G_-125N1DN	180	201	30	71	40	14-1/4	24	13-1/2	2, 3, 4	680	2,091	50
MPT0200G_-125N1DN	200	222	30	78	40	14-1/4	24	13-1/2	2, 3, 4	720	2,298	55
MPT0250G_-125N1DN	250	278	36	69	46	16-3/4	30	13-1/2	3, 4, 6	830	2,795	59
MPT0300G_-125N1DN	300	334	36	82	46	16-3/4	30	13-1/2	3, 4, 6	940	3,322	69
MPT0350G_-125N1DN	350	386	36	94	46	16-3/4	30	13-1/2	3, 4, 6	1030	3,829	79
MPT0400G_-125N1DN	400	443	48	65	58	19-5/8	44	12-7/8	4, 6, 8	1230	4,346	80
MPT0450G_-125N1DN	450	497	48	72	58	19-5/8	44	12-7/8	4, 6, 8	1300	4,833	88
MPT0500G_-125N1DN	500	551	48	79	58	19-5/8	44	12-7/8	4, 6, 8	1380	5,330	95
MPT0700G_-125N1DN	700	712	48	100	58	19-5/8	44	12-7/8	4, 6, 8	1520	7,138	117
MPT0850G_-125N1DN	850	873	54	99	64	23-1/2	50	13-1/8	4, 6, 8	2110	8,969	127
MPT1050G_-125N1DN	1050	1,077	60	99	70	25-3/4	54	14	6, 8, 10	2370	10,887	143

Nozzle Ports are shown for placement and clarity only.

** Add 2" to "C" dimension when specifying 10" nozzles

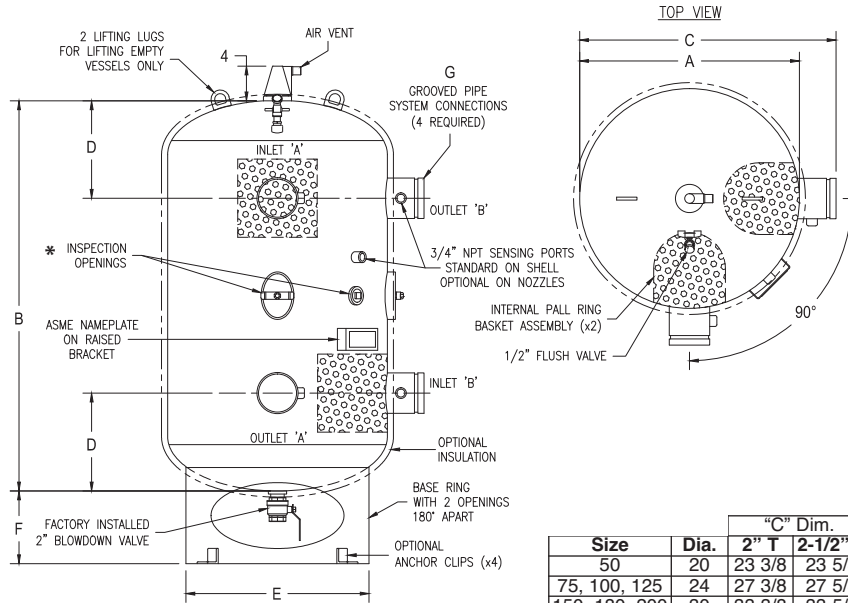
Refer to standard submittal as this sheet is a "Quick Reference Guide" only.
Go to www.TacoComfort.com > Products > Multi-Purpose Tanks > Submittals

"MPT" Option E Grooved Vertical Multi-Purpose Tanks Corner Model with 2 Internal Pall Ring Baskets



400-1050

* Inspection Openings (2) 4" x 6" Models 400 through 1050



50-350

* Inspection Openings (1) 2" NPTF Models 50 through 350

Size	Dia.	"C" Dim.	
		2" T	2-1/2" T
50	20	23 3/8	23 5/8
75, 100, 125	24	27 3/8	27 5/8
150, 180, 200	30	33 3/8	33 5/8
250, 300, 350	36	39 3/8	39 5/8

SIZES & DIMENSIONS

All dimensions shown are subject to change and should not be used for pre-piping. Contact your local Taco representative should certified dimensional drawings be required.



MODEL NUMBER	TANK VOLUME	ACTUAL VOLUME	A TANK DIAMETER	B TANK HEIGHT	C** FLANGE SPREAD	D HEAD TO FLANGE	E BASE RING DIAMETER	F BASE RING AFF	G NOZZLE SIZE	MAX. APPROX. DRY WEIGHT	MAX. APPROX. FLOODED WEIGHT	SURFACE AREA
	GAL.	GAL.	INCH	INCH	INCH	INCH	INCH	INCH	INCH	LBS.	LBS.	(SQ. FT.)
MPT0050G_-125N1EN	50	55	20	43	25	11-1/2	18	12-7/8	2, 3, 4	270	607	21
MPT0075G_-125N1EN	75	82	24	46	29	12-5/8	20	12-7/8	2, 3, 4	320	866	27
MPT0100G_-125N1EN	100	111	24	61	29	12-5/8	20	12-7/8	2, 3, 4	360	1,114	34
MPT0125G_-125N1EN	125	139	24	76	29	12-5/8	20	12-7/8	2, 3, 4	410	1,373	42
MPT0150G_-125N1EN	150	168	30	60	35	14-1/4	24	13-1/2	2, 3, 4	600	1,761	43
MPT0180G_-125N1EN	180	201	30	71	35	14-1/4	24	13-1/2	2, 3, 4	680	2,091	50
MPT0200G_-125N1EN	200	222	30	78	35	14-1/4	24	13-1/2	2, 3, 4	720	2,298	55
MPT0250G_-125N1EN	250	278	36	69	41	16-3/4	30	13-1/2	3, 4, 6	830	2,795	59
MPT0300G_-125N1EN	300	334	36	82	41	16-3/4	30	13-1/2	3, 4, 6	940	3,322	69
MPT0350G_-125N1EN	350	386	36	94	41	16-3/4	30	13-1/2	3, 4, 6	1030	3,829	79
MPT0400G_-125N1EN	400	443	48	65	53	19-5/8	44	12-7/8	4, 6, 8	1230	4,346	80
MPT0450G_-125N1EN	450	497	48	72	53	19-5/8	44	12-7/8	4, 6, 8	1300	4,833	88
MPT0500G_-125N1EN	500	551	48	79	53	19-5/8	44	12-7/8	4, 6, 8	1380	5,330	95
MPT0700G_-125N1EN	700	712	48	100	53	19-5/8	44	12-7/8	4, 6, 8	1520	7,138	117
MPT0850G_-125N1EN	850	873	54	99	59	23-1/2	50	13-1/8	4, 6, 8	2110	8,969	127
MPT1050G_-125N1EN	1050	1,077	60	99	65	25-3/4	54	14	6, 8, 10	2370	10,887	143

Nozzle Ports are shown for placement and clarity only.

** Add 1" to "C" dimension when specifying 10" nozzles

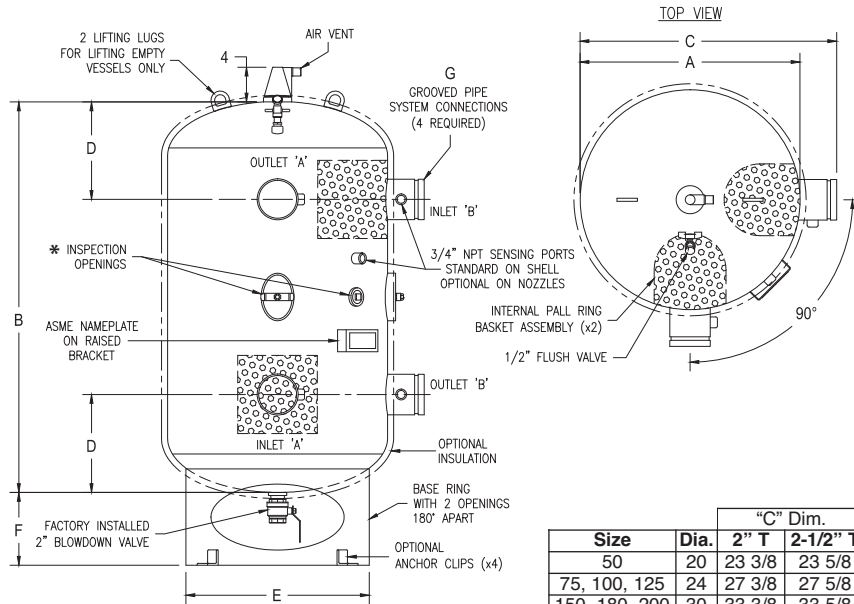
Refer to standard submittal as this sheet is a "Quick Reference Guide" only. Go to www.TacoComfort.com > Products > Multi-Purpose Tanks > Submittals

"MPT" Option F Grooved Vertical Multi-Purpose Tanks Corner Model with 2 Internal Pall Ring Baskets



400-1050

* Inspection Openings
(2) 4" x 6" Models 400 through 1050



50-350

* Inspection Openings
(1) 2" NPTF Models 50 through 350

Size	Dia.	"C" Dim.	
		2" T	2-1/2" T
50	20	23 3/8	23 5/8
75, 100, 125	24	27 3/8	27 5/8
150, 180, 200	30	33 3/8	33 5/8
250, 300, 350	36	39 3/8	39 5/8

SIZES & DIMENSIONS

All dimensions shown are subject to change and should not be used for pre-piping. Contact your local Taco representative should certified dimensional drawings be required.



MODEL NUMBER	TANK VOLUME	ACTUAL VOLUME	A TANK DIAMETER	B TANK HEIGHT	C** FLANGE SPREAD	D HEAD TO FLANGE	E BASE RING DIAMETER	F BASE RING AFF	G NOZZLE SIZE	MAX. APPROX. DRY WEIGHT	MAX. APPROX. FLOODED WEIGHT	SURFACE AREA
	GAL.	GAL.	INCH	INCH	INCH	INCH	INCH	INCH	INCH	LBS.	LBS.	(SQ. FT.)
MPT0050G_-125N1FN	50	55	20	43	25	11-1/2	18	12-7/8	2, 3, 4	270	607	21
MPT0075G_-125N1FN	75	82	24	46	29	12-5/8	20	12-7/8	2, 3, 4	320	866	27
MPT0100G_-125N1FN	100	111	24	61	29	12-5/8	20	12-7/8	2, 3, 4	360	1,114	34
MPT0125G_-125N1FN	125	139	24	76	29	12-5/8	20	12-7/8	2, 3, 4	410	1,373	42
MPT0150G_-125N1FN	150	168	30	60	35	14-1/4	24	13-1/2	2, 3, 4	600	1,761	43
MPT0180G_-125N1FN	180	201	30	71	35	14-1/4	24	13-1/2	2, 3, 4	680	2,091	50
MPT0200G_-125N1FN	200	222	30	78	35	14-1/4	24	13-1/2	2, 3, 4	720	2,298	55
MPT0250G_-125N1FN	250	278	36	69	41	16-3/4	30	13-1/2	3, 4, 6	830	2,795	59
MPT0300G_-125N1FN	300	334	36	82	41	16-3/4	30	13-1/2	3, 4, 6	940	3,322	69
MPT0350G_-125N1FN	350	386	36	94	41	16-3/4	30	13-1/2	3, 4, 6	1030	3,829	79
MPT0400G_-125N1FN	400	443	48	65	53	19-5/8	44	12-7/8	4, 6, 8	1230	4,346	80
MPT0450G_-125N1FN	450	497	48	72	53	19-5/8	44	12-7/8	4, 6, 8	1300	4,833	88
MPT0500G_-125N1FN	500	551	48	79	53	19-5/8	44	12-7/8	4, 6, 8	1380	5,330	95
MPT0700G_-125N1FN	700	712	48	100	53	19-5/8	44	12-7/8	4, 6, 8	1520	7,138	117
MPT0850G_-125N1FN	850	873	54	99	59	23-1/2	50	13-1/8	4, 6, 8	2110	8,969	127
MPT1050G_-125N1FN	1050	1,077	60	99	65	25-3/4	54	14	6, 8, 10	2370	10,887	143

Nozzle Ports are shown for placement and clarity only.

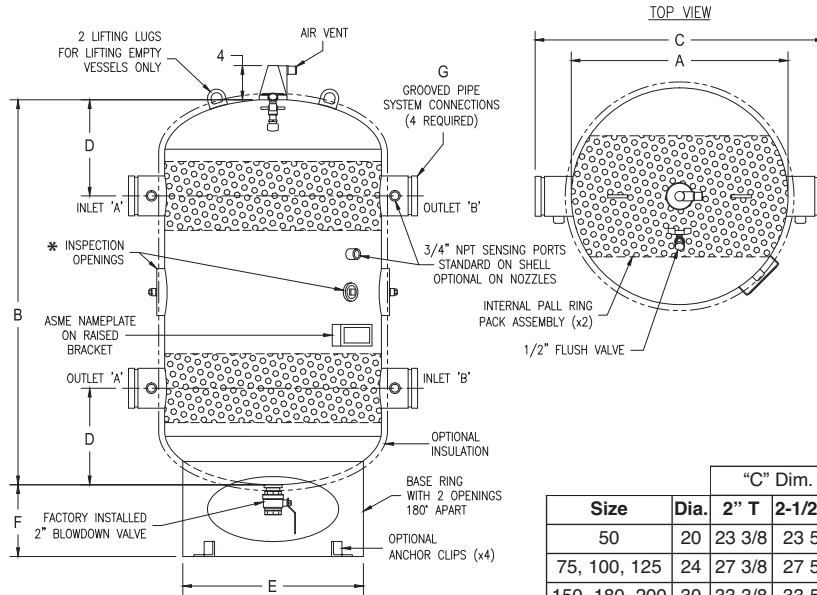
** Add 1" to "C" dimension when specifying 10" nozzles

“MPT” Option G Grooved Vertical Multi-Purpose Tanks With 2 Internal Pall Ring Packs



400-1050

* Inspection Openings
(2) 4" x 6" Models 400 through 1050



Size	Dia.	"C" Dim.	
		2" T	2-1/2" T
50	20	23 3/8	23 5/8
75, 100, 125	24	27 3/8	27 5/8
150, 180, 200	30	33 3/8	33 5/8
250, 300, 350	36	39 3/8	39 5/8



50-350

* Inspection Openings
(1) 2" NPTF Models 50 through 350

SIZES & DIMENSIONS

All dimensions shown are subject to change and should not be used for pre-piping. Contact your local Taco representative should certified dimensional drawings be required.



MODEL NUMBER	TANK VOLUME	ACTUAL VOLUME	A TANK DIAMETER	B TANK HEIGHT	C** FLANGE SPREAD	D HEAD TO FLANGE	E BASE RING DIAMETER	F BASE RING AFF	G NOZZLE SIZE	MAX. APPROX. DRY WEIGHT	MAX. APPROX. FLOODED WEIGHT	SURFACE AREA
	GAL.	GAL.	INCH	INCH	INCH	INCH	INCH	INCH	INCH	LBS.	LBS.	(SQ. FT.)
MPT0050G_-125N1GN	50	55	20	43	30	11-1/2	18	12-7/8	2, 3, 4	270	607	21
MPT0075G_-125N1GN	75	82	24	46	34	12-5/8	20	12-7/8	2, 3, 4	320	866	27
MPT0100G_-125N1GN	100	111	24	61	34	12-5/8	20	12-7/8	2, 3, 4	360	1,114	34
MPT0125G_-125N1GN	125	139	24	76	34	12-5/8	20	12-7/8	2, 3, 4	410	1,373	42
MPT0150G_-125N1GN	150	168	30	60	40	14-1/4	24	13-1/2	2, 3, 4	600	1,761	43
MPT0180G_-125N1GN	180	201	30	71	40	14-1/4	24	13-1/2	2, 3, 4	680	2,091	50
MPT0200G_-125N1GN	200	222	30	78	40	14-1/4	24	13-1/2	2, 3, 4	720	2,298	55
MPT0250G_-125N1GN	250	278	36	69	46	16-3/4	30	13-1/2	3, 4, 6	830	2,795	59
MPT0300G_-125N1GN	300	334	36	82	46	16-3/4	30	13-1/2	3, 4, 6	940	3,322	69
MPT0350G_-125N1GN	350	386	36	94	46	16-3/4	30	13-1/2	3, 4, 6	1030	3,829	79
MPT0400G_-125N1GN	400	443	48	65	58	19-5/8	44	12-7/8	4, 6, 8	1230	4,346	80
MPT0450G_-125N1GN	450	497	48	72	58	19-5/8	44	12-7/8	4, 6, 8	1300	4,833	88
MPT0500G_-125N1GN	500	551	48	79	58	19-5/8	44	12-7/8	4, 6, 8	1380	5,330	95
MPT0700G_-125N1GN	700	712	48	100	58	19-5/8	44	12-7/8	4, 6, 8	1520	7,138	117
MPT0850G_-125N1GN	850	873	54	99	64	23-1/2	50	13-1/8	4, 6, 8	2110	8,969	127
MPT1050G_-125N1GN	1050	1,077	60	99	70	25-3/4	54	14	6, 8, 10	2370	10,887	143

Nozzle Ports are shown for placement and clarity only.

** Add 2" to "C" dimension when specifying 10" nozzles

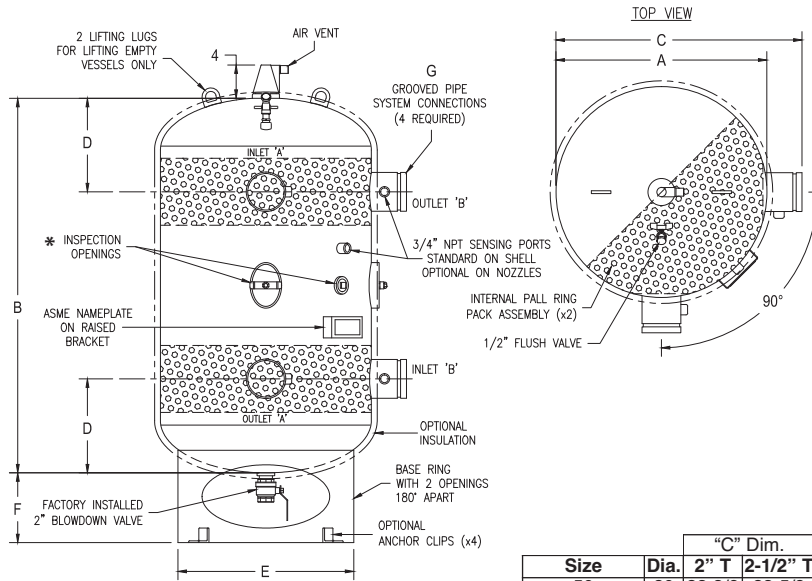
Refer to standard submittal as this sheet is a "Quick Reference Guide" only.
Go to www.Taco.Comfort.com > Products > Multi-Purpose Tanks > Submittals

"MPT" Option H Grooved Vertical Multi-Purpose Tanks Corner Model with 2 Internal Pall Ring Packs



400-1050

*** Inspection Openings**
(2) 4" x 6" Models 400 through 1050



Size	Dia.	"C" Dim.	
		2" T	2-1/2" T
50	20	23 3/8	23 5/8
75, 100, 125	24	27 3/8	27 5/8
150, 180, 200	30	33 3/8	33 5/8
250, 300, 350	36	39 3/8	39 5/8



50-350

*** Inspection Openings**
(1) 2" NPTF Models 50 through 350

SIZES & DIMENSIONS

All dimensions shown are subject to change and should not be used for pre-piping. Contact your local Taco representative should certified dimensional drawings be required.



MODEL NUMBER	TANK VOLUME	ACTUAL VOLUME	A TANK DIAMETER	B TANK HEIGHT	C** FLANGE SPREAD	D HEAD TO FLANGE	E BASE RING DIAMETER	F BASE RING AFF	G NOZZLE SIZE	MAX. APPROX. DRY WEIGHT	MAX. APPROX. FLOODED WEIGHT	SURFACE AREA
	GAL.	GAL.	INCH	INCH	INCH	INCH	INCH	INCH	INCH	LBS.	LBS.	(SQ. FT.)
MPT0050G_-125N1HN	50	55	20	43	25	11-1/2	18	12-7/8	2, 3, 4	270	607	21
MPT0075G_-125N1HN	75	82	24	46	29	12-5/8	20	12-7/8	2, 3, 4	320	866	27
MPT0100G_-125N1HN	100	111	24	61	29	12-5/8	20	12-7/8	2, 3, 4	360	1,114	34
MPT0125G_-125N1HN	125	139	24	76	29	12-5/8	20	12-7/8	2, 3, 4	410	1,373	42
MPT0150G_-125N1HN	150	168	30	60	35	14-1/4	24	13-1/2	2, 3, 4	600	1,761	43
MPT0180G_-125N1HN	180	201	30	71	35	14-1/4	24	13-1/2	2, 3, 4	680	2,091	50
MPT0200G_-125N1HN	200	222	30	78	35	14-1/4	24	13-1/2	2, 3, 4	720	2,298	55
MPT0250G_-125N1HN	250	278	36	69	41	16-3/4	30	13-1/2	3, 4, 6	830	2,795	59
MPT0300G_-125N1HN	300	334	36	82	41	16-3/4	30	13-1/2	3, 4, 6	940	3,322	69
MPT0350G_-125N1HN	350	386	36	94	41	16-3/4	30	13-1/2	3, 4, 6	1030	3,829	79
MPT0400G_-125N1HN	400	443	48	65	53	19-5/8	44	12-7/8	4, 6, 8	1230	4,346	80
MPT0450G_-125N1HN	450	497	48	72	53	19-5/8	44	12-7/8	4, 6, 8	1300	4,833	88
MPT0500G_-125N1HN	500	551	48	79	53	19-5/8	44	12-7/8	4, 6, 8	1380	5,330	95
MPT0700G_-125N1HN	700	712	48	100	53	19-5/8	44	12-7/8	4, 6, 8	1520	7,138	117
MPT0850G_-125N1HN	850	873	54	99	59	23-1/2	50	13-1/8	4, 6, 8	2110	8,969	127
MPT1050G_-125N1HN	1050	1,077	60	99	65	25-3/4	54	14	6, 8, 10	2370	10,887	143

Nozzle Ports are shown for placement and clarity only.

** Add 1" to "C" dimension when specifying 10" nozzles

Refer to standard submittal as this sheet is a "Quick Reference Guide" only.
Go to www.TacoComfort.com > Products > Multi-Purpose Tanks > Submittals



Taco Inc., 1160 Cranston Street, Cranston, RI 02920 / (401) 942-8000 / Fax (401) 942-2360
Taco (Canada) Ltd., 8450 Lawson Road, Unit #3, Milton, Ontario L9T 0J8 / (905) 564-9422 / Fax (905) 564-9436