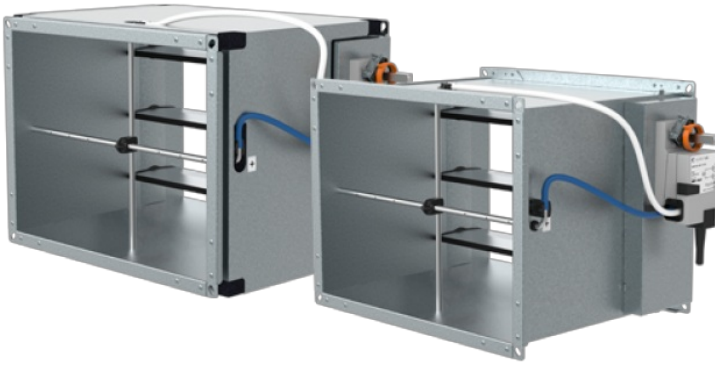


OPTIMA-S-FCS

Rectangular VAV unit suitable for environments with dust pollution

- Static measurement sensor
- Factory calibrated
- Galvanised steel

[Find more details in our online catalogue](#)



Static measurement sensor

OPTIMA-S-FCS has a static measurement sensor, ideal for spaces with increased dust pollution (industrial and manufacturing sites, workshops, public halls, etc.)

Galvanised steel

The AV unit housing of the OPTIMA-S-FCS as well as the control damper blade is made from galvanized sheet steel, making it tough and durable

Factory calibrated

VAV and Compact controllers are factory calibrated as standard to the air volume indicated in the table or upon request can be adjusted to site-required settings prior to dispatch.

Technical parameters

Nominal data

Communication data

1xAI, 1xAO, MP-BUS

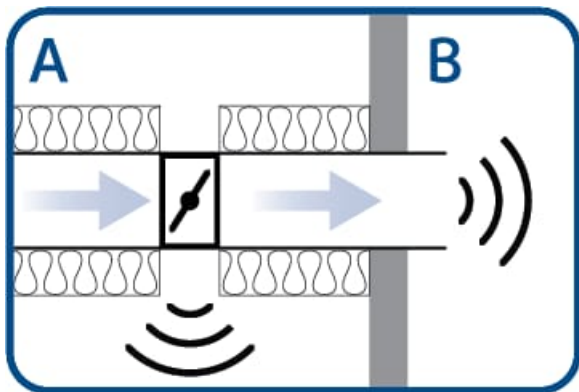
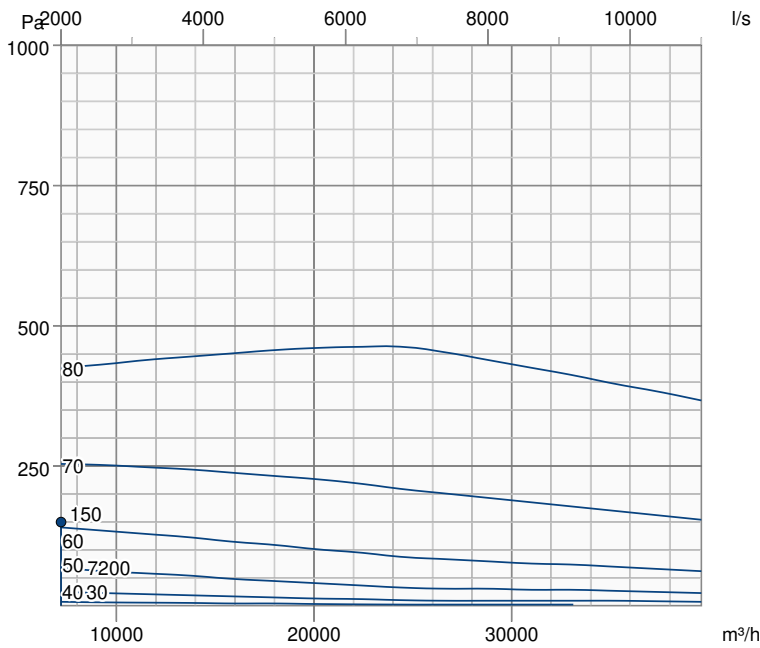
Dimensions and weights

Weight

24.7 kg

Performance

Pressure drop & sound power level (A-weighted) - Total sound power level (A-weighted) - Discharged into room

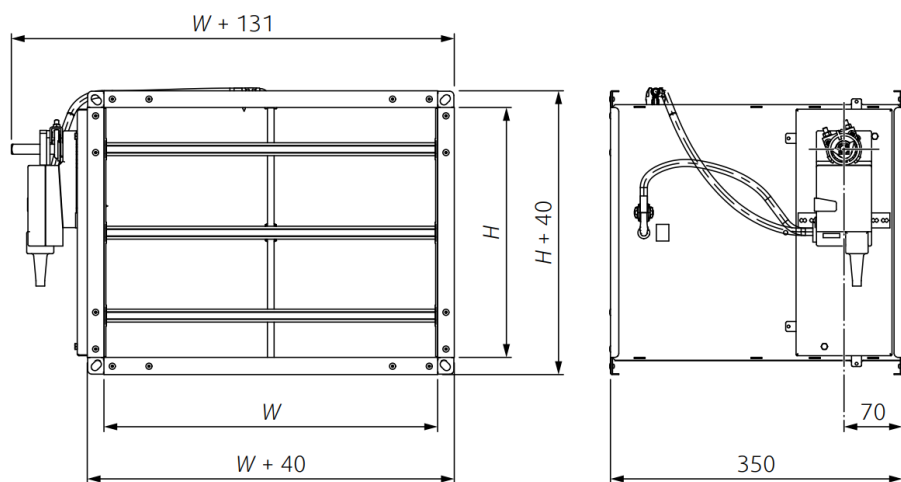


Parameter	Value
Air flow	7200 m³/h
Nominal area velocity	2.00 m/s
Pressure drop	150 Pa
Total sound power level - Discharged into room	65 dB
Total sound power level (A-weighted) - Discharged into room	61 dB(A)
Total sound power level - Casing radiated	61 dB
Total sound power level - Casing radiated (A-weighted)	47 dB(A)
Communication data	1xAI, 1xAO, MP-BUS

Total sound power level - Discharged into room									
	Hz	63	125	250	500	1k	2k	4k	8k
Lw	dB	55	58	60	57	54	56	50	42
LwA	dB(A)	30	42	52	53	54	57	51	41

Casing Radiated Noise									
	Hz	63	125	250	500	1k	2k	4k	8k
Lw	dB	60	49	51	45	37	34	28	25
LwA	dB(A)	31	33	43	41	37	35	29	24

Dimensions



Dimensions		Value mm
W		1000
H		1000

Part		Weight kg
OPTIMA-S-FCS-1000x1000-BP		24.70

Accessories

- AIAS Combox module (19992)
- LDR-A-1000x300x1000 (273788)
- AIAS I/O Module (19993)
- ZTH-EU (27655)

Documents

- Handbook_OPTIMA_S_FCS
- OPTIMA_Cabling